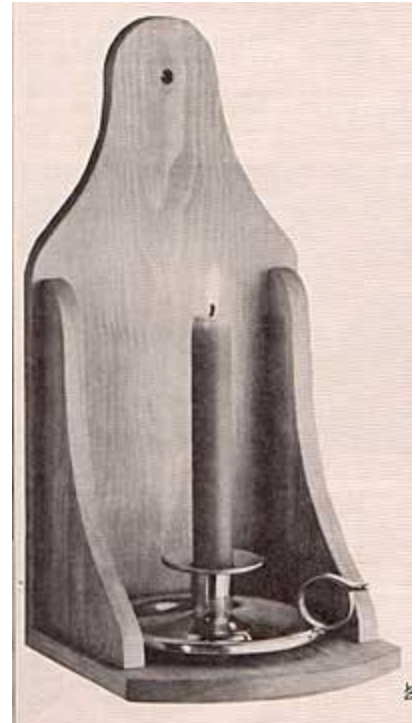


Project 13161EZ: Colonial Wall Sconce

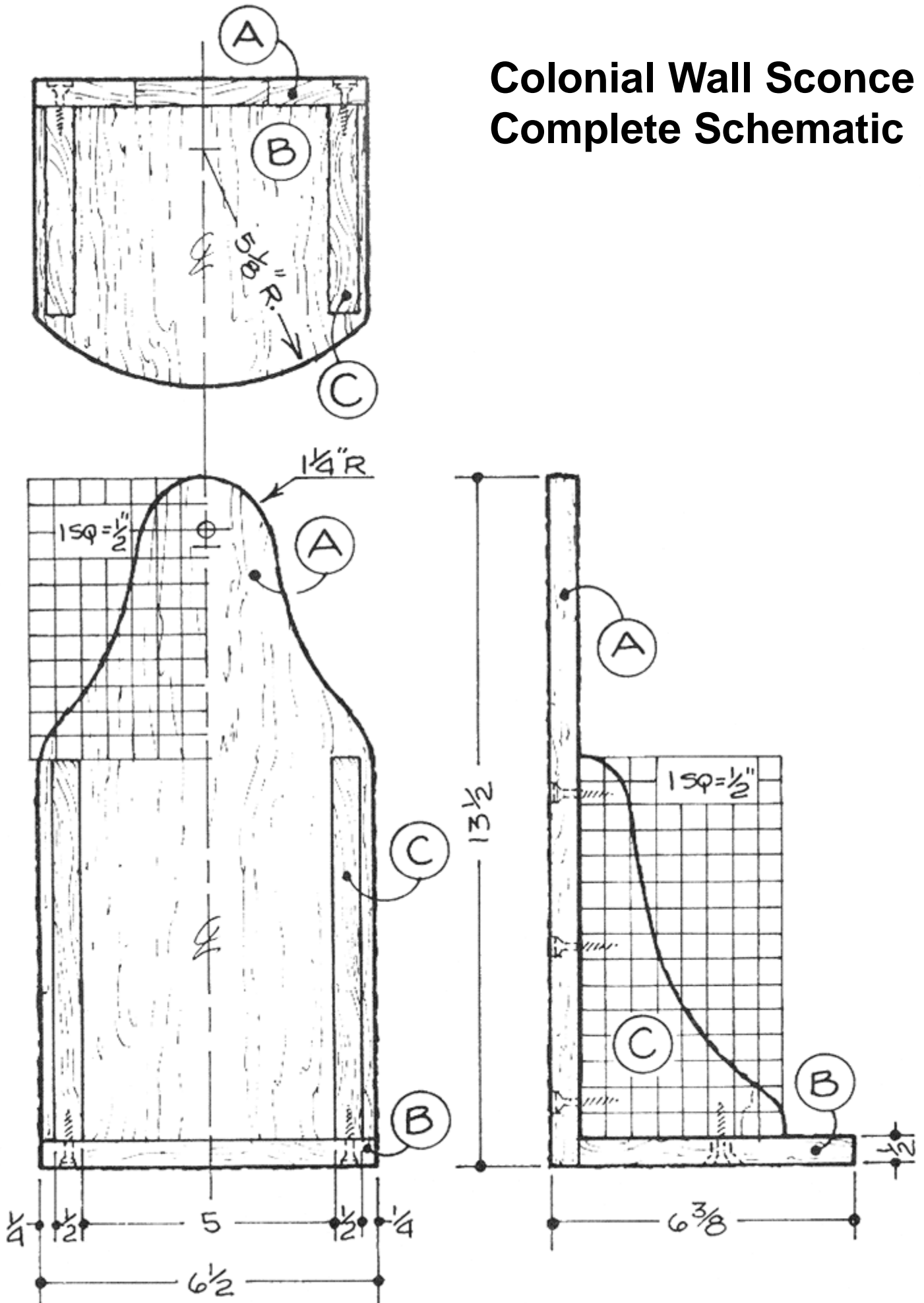
Sometimes the best projects are those that you can complete in an hour or so on a rainy afternoon. This Colonial style wall sconce is perfect for such a day. During the Colonial period, a wall sconce usually held a candle or oil lamp. Today, however, it often serves as an attractive display area, a curio shelf, or even a plant holder. The sconce features simple butt joint construction, and can be built from any hard or soft wood.



Colonial Wall Sconce Materials List

Part	Description	Size	No. Req'd
A	Part name	1/2" x 6-1/2" x 13-1/2"	1
B	Base	1/2" x 6-1/2" x 5-7/8"	1
C	Sides	1/2" x 4" x 7-1/2"	2

Colonial Wall Sconce Complete Schematic



Colonial Wall Sconce Step-by-Step Instructions

1. Cut the back (A), the base (B), and the two sides (C) to length and width.
2. Scribe the radius in the base.
3. Refer to the grid patterns and lay out the curved profiles in the back and two sides.
4. Use a band or saber saw to cut these shapes.
5. Sand the shapes smooth.
6. Glue the sides to the back to begin assemble.
7. Drill a pair of slotted holes in the base, as illustrated, to allow for wood movement in the sides.
8. Countersink the two screws so their heads are flush.
9. Drill for and countersink the three remaining screws.
10. Drill a single hole in the back for mounting to the wall.
11. Final sand.
12. Stain if desired.
13. Apply several coats of tung oil to finish, highlight the grain patterns, and protect the wood.

These plans were originally published in Volume 9, Issue 3 of *The Woodworker's Journal* (May/June 1985, page 41).