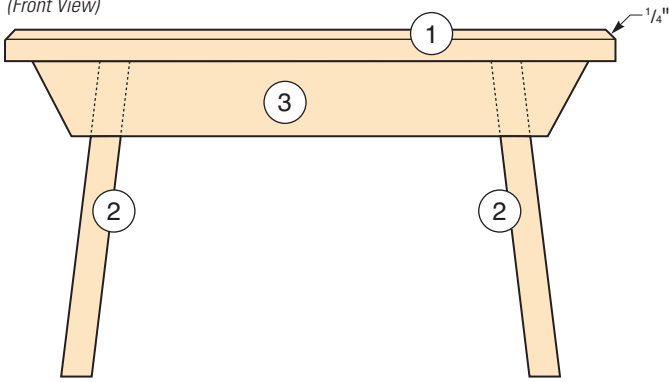
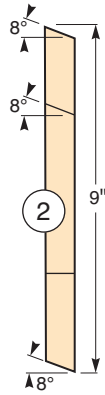


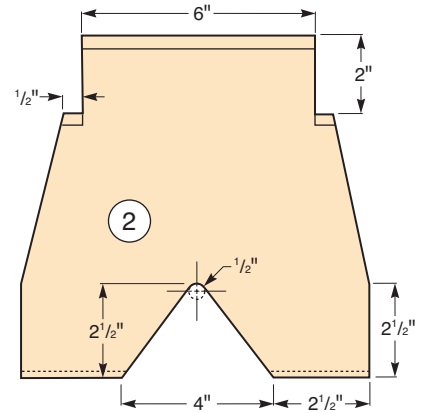
**Step Stool**  
(Front View)



**Leg**  
(End View)

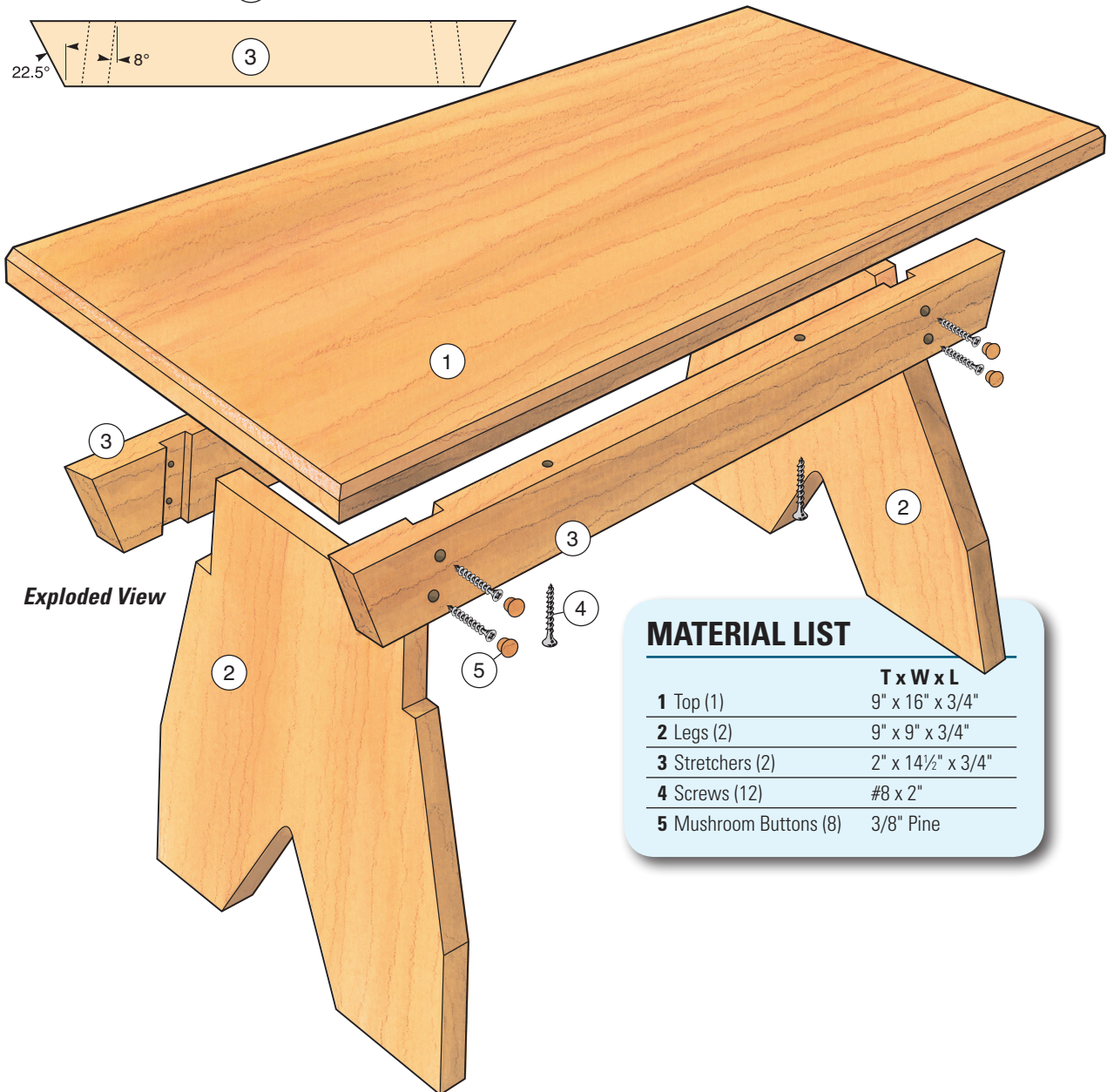
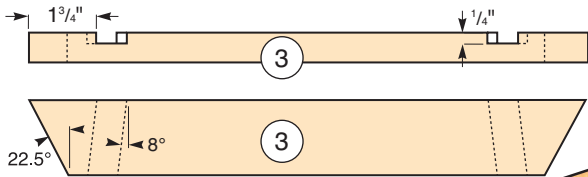


**Leg**  
(Front View)



**Stretcher**

(Front and Top Views)



**Exploded View**

**MATERIAL LIST**

	<b>T x W x L</b>
<b>1</b> Top (1)	9" x 16" x 3/4"
<b>2</b> Legs (2)	9" x 9" x 3/4"
<b>3</b> Stretchers (2)	2" x 14 1/2" x 3/4"
<b>4</b> Screws (12)	#8 x 2"
<b>5</b> Mushroom Buttons (8)	3/8" Pine