

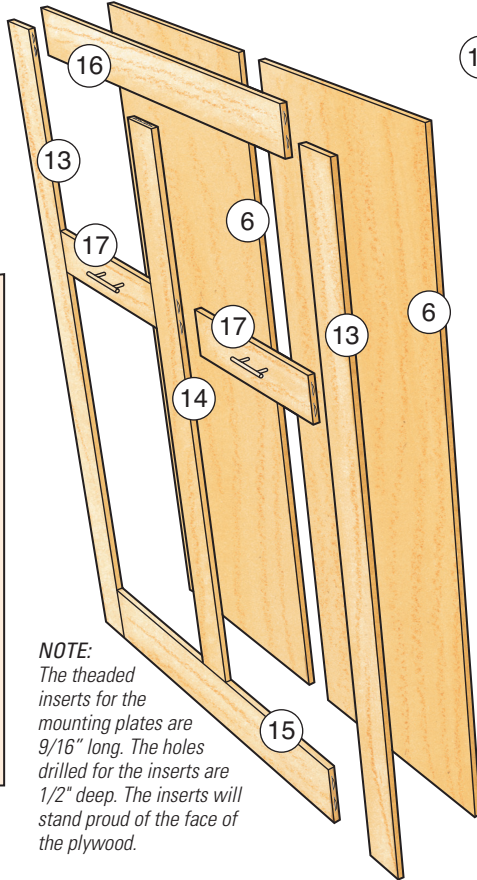
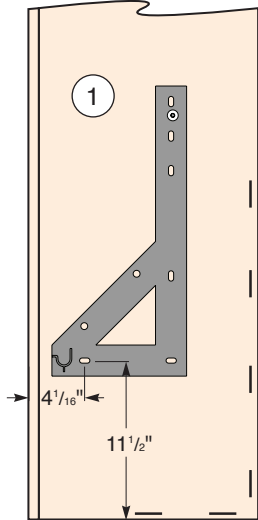
# WOODWORKER'S JOURNAL

## Murphy Bed

March/April 2017

**NOTE:** Follow the assembly instructions provided with the Murphy bed hardware. Woodworker's Journal used their step-by-step procedure when building this bed.

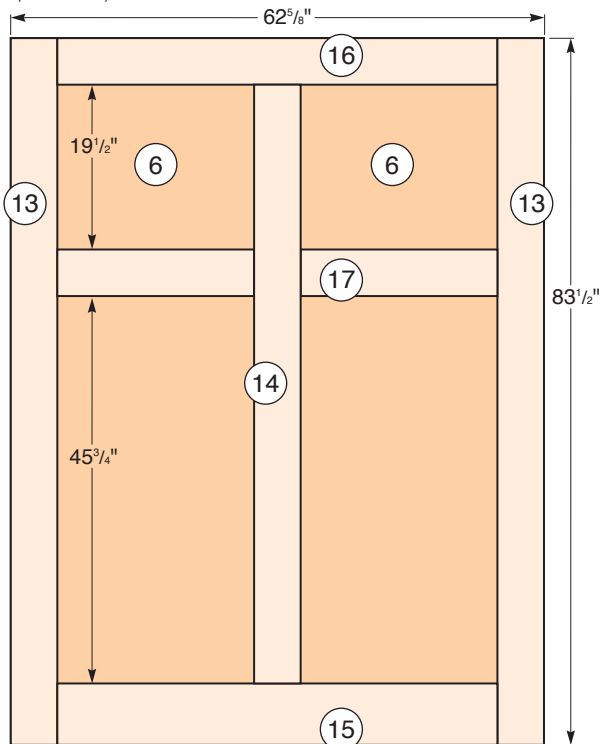
**Mounting Plate Location**  
(Inside View)



**Exploded View**

**NOTE:** The threaded inserts for the mounting plates are 9/16" long. The holes drilled for the inserts are 1/2" deep. The inserts will stand proud of the face of the plywood.

**Bed Frame Door**  
(Front View)

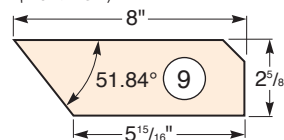


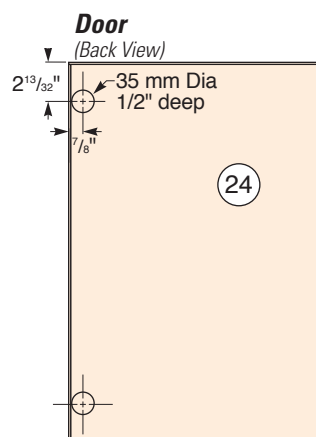
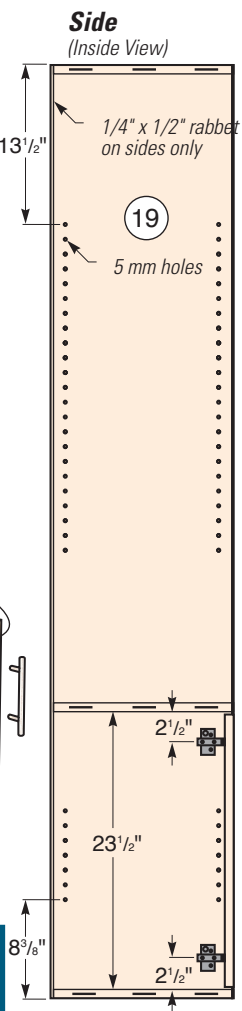
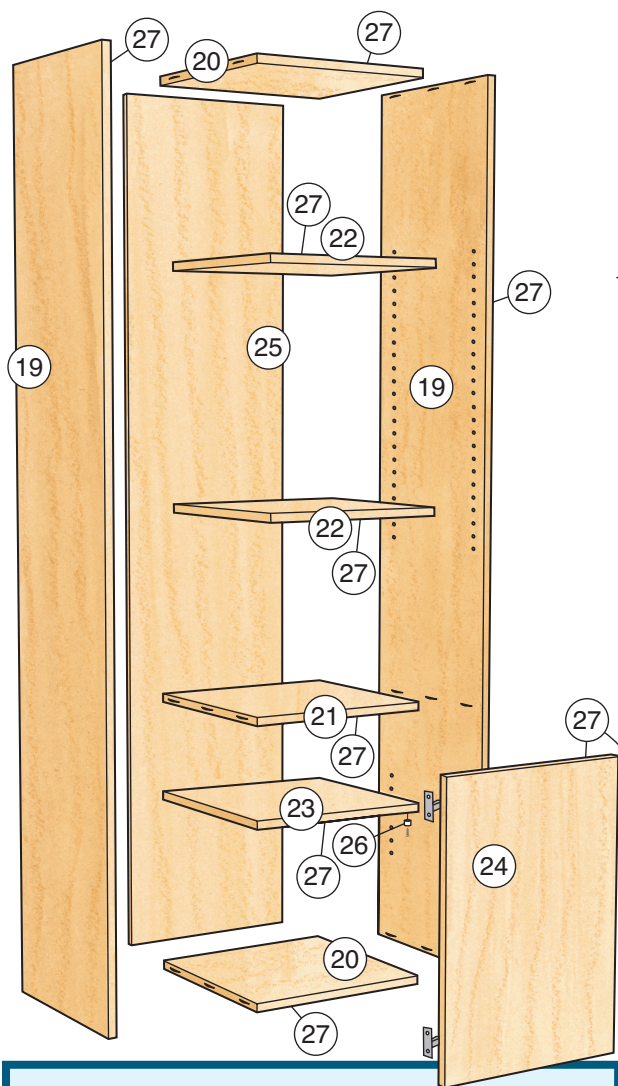
### MATERIAL LIST

#### Bed Cabinet (queen size)

	T x W x L
<b>1</b> Sides (2)	3/4" x 15 7/8" x 85 1/2"
<b>2</b> Top (1)	3/4" x 15 7/8" x 63 5/16"
<b>3</b> Bottom (1)	3/4" x 12 1/8" x 63 5/16"
<b>4</b> Back, Lower (1)	3/4" x 25 7/8" x 63 5/16"
<b>5</b> Back, Upper (1)	3/4" x 12 7/8" x 63 5/16"
<b>6</b> Door Panels (2)	3/4" x 31 5/16" x 83 1/2"
<b>7</b> Crown Panel (1)	3/4" x 16 5/8" x 64 13/16"
<b>8</b> Crown Molding	1 1/16" x 4 1/4" x 10 In. ft.
<b>9</b> Crown Braces (2)	3/4" x 2 7/16" x 8"
<b>10</b> Edging (2)	3/4" x 3/4" x 85 1/2"
<b>11</b> Edging (2)	3/4" x 3/4" x 63 5/16"
<b>12</b> Edging (2)	1/8" x 3/4" x 63 5/16"
<b>13</b> Side Trim (2)	3/4" x 5 1/2" x 83 1/2"
<b>14</b> Center Trim, Vertical (1)	3/4" x 5 1/2" x 70 3/4"
<b>15</b> Bottom Trim (1)	3/4" x 7 1/4" x 51 5/8"
<b>16</b> Top Trim (1)	3/4" x 5 1/2" x 51 5/8"
<b>17</b> Center Trim, Horizontal (2)	3/4" x 5 1/2" x 23 1/16"
<b>18</b> Cleat (1)	3/4" x 3" x 18"

**Crown Brace**  
(Front View)





## MATERIAL LIST

Side Cabinets (to build 2)	T x W x L
19 Sides (4)	3/4" x 15 5/8" x 79"
20 Tops, Bottoms (4)	3/4" x 15 5/8" x 16"
21 Dividers (2)	3/4" x 15 5/8" x 16"
22 Shelves (4)	3/4" x 15 5/8" x 15 5/16"
23 Shelves (2)	3/4" x 14 1/4" x 15 5/16"
24 Doors (2)	3/4" x 15 5/16" x 23 1/16"
25 Back Panels (2)	1/4" x 17" x 79"
26 Door Stops (4)	9/16" diameter
27 Edging	1/8" x 3/4" x 34 ln. ft.