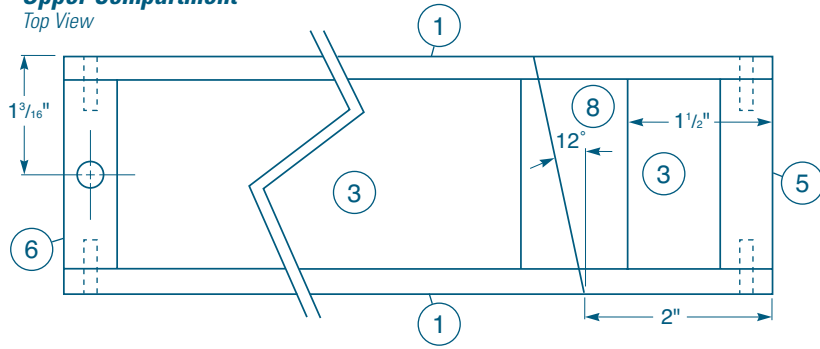
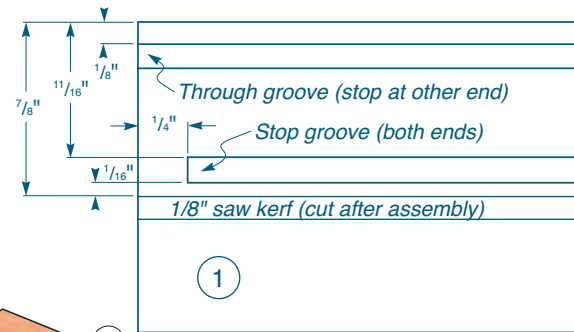


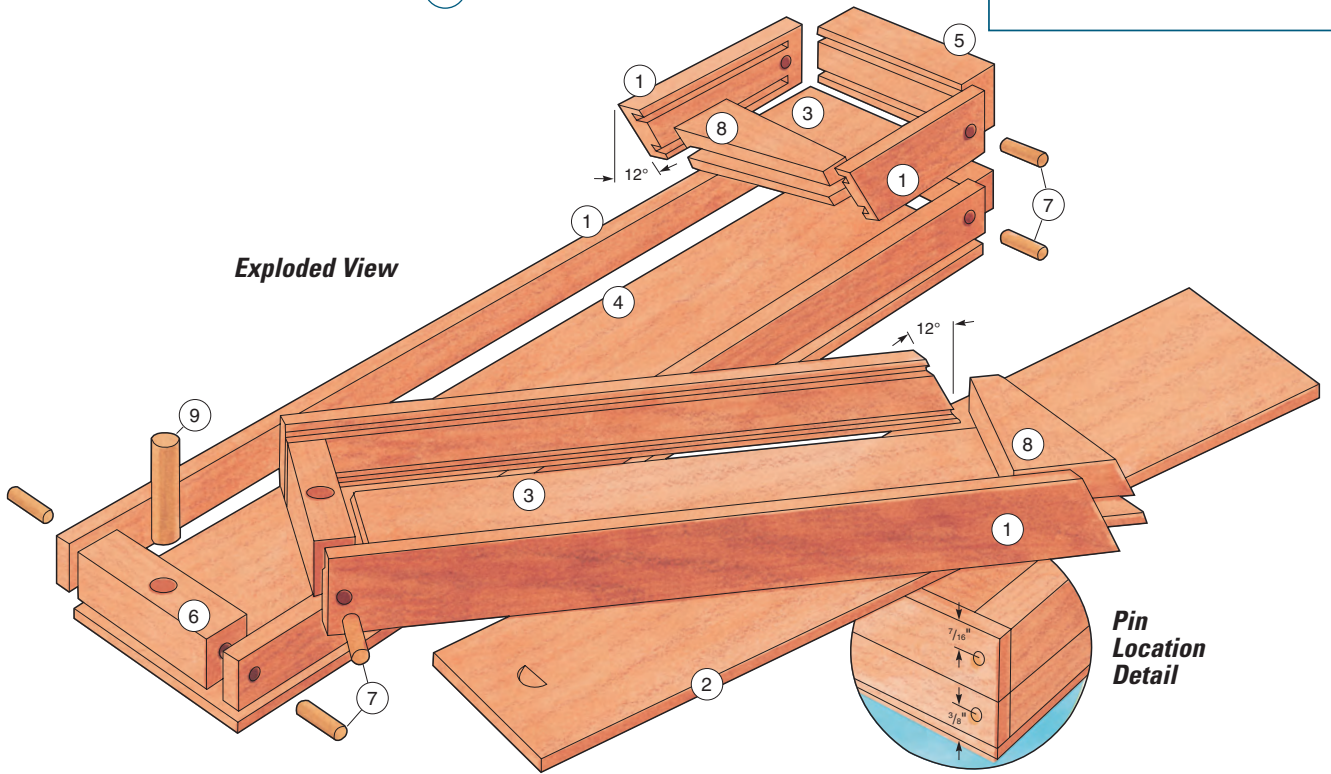
**Upper Compartment**  
Top View



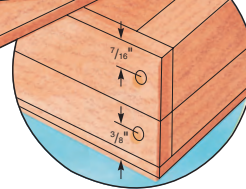
**Side Panel Groove Locations**  
Inside View



**Exploded View**



**Pin Location Detail**



**MATERIAL LIST**

	<b>T x W x L</b>
<b>1</b> Sides (2)	5/16" x 1 9/16" x 10"
<b>2</b> Top (1)	1/8" x 2" x 12"
<b>3</b> Middle Panel (1)	1/8" x 2" x 9 1/4"
<b>4</b> Bottom Panel (1)	1/8" x 2 1/4" x 10"
<b>5</b> Front Endwall (1)	1/2" x 1 1/16" x 1 3/4"
<b>6</b> Back Endwall (1)	1/2" x 1 5/16" x 1 3/4"
<b>7</b> Pins (8)	1/8" Dia. x 5/8"
<b>8</b> Divider (1)	5/16" x 1 1/4" x 1 3/4"
<b>9</b> Hinge (1)	1/4" Dia. x 1 3/8"