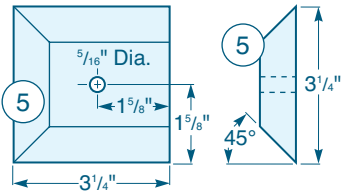
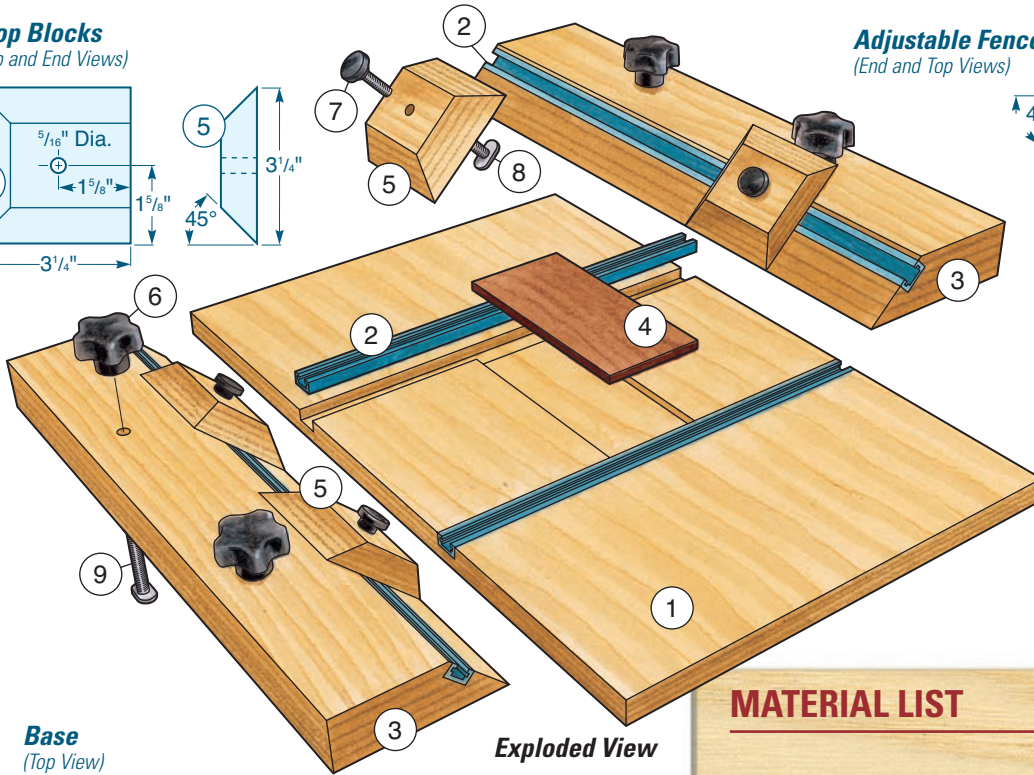
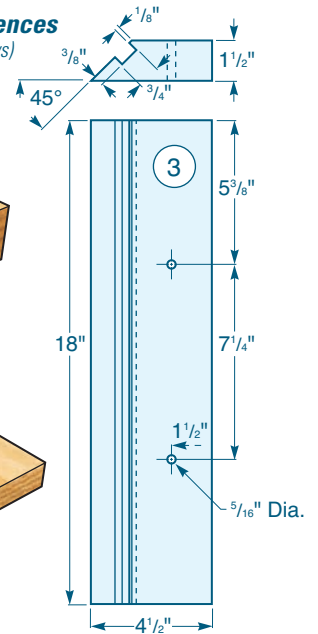


Cylindrical and Round Object Drilling Jig

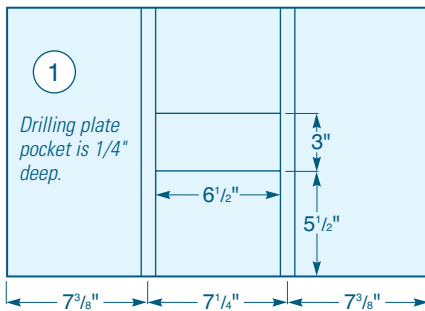
Stop Blocks
(Top and End Views)



Adjustable Fences
(End and Top Views)



Base
(Top View)



Exploded View

The T-track slots are 3/4" wide and 3/8" deep.

MATERIAL LIST

	T x W x L
1 Base (1)	3/4" x 14" x 22"
2 Aluminum T-Tracks (2)	3/8" x 3/4" x 36"
3 Adjustable Fences (2)	1 1/2" x 4 1/2" x 18"
4 Drilling Plate (1)	1/4" x 3" x 6 1/2"
5 Stop Blocks (4)	3/4" x 3 1/4" x 3 1/4"
6 Fence Knobs (4)	Star Knob 5/16"-18
7 Stop Block Knobs (4)	1 1/8" Dia. 5/16"-18
8 Short T-Slot Bolts (4)	5/16"-18 x 1"
9 Long T-Slot Bolts (4)	5/16"-18 x 2 1/2"