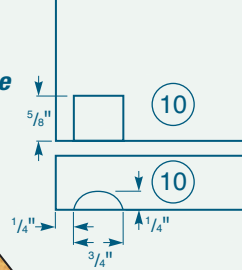


Corner Detail
(Top View)

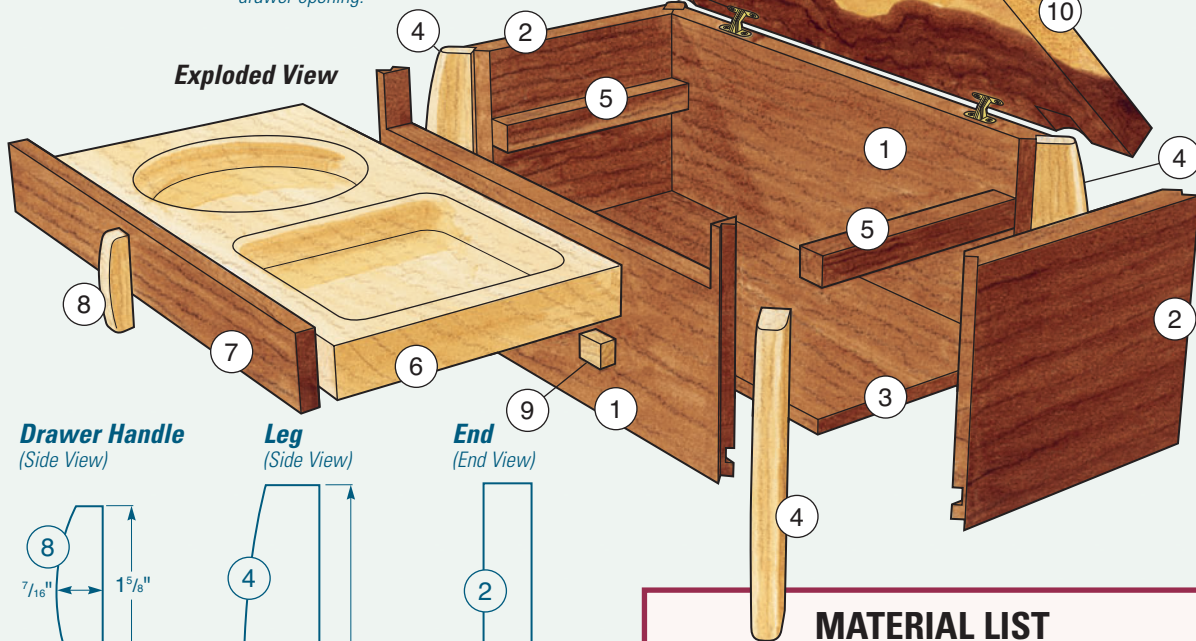


Once the box is glued up and the legs are installed, make a 1" deep cut aligned with the inside of the ends to start the drawer opening.

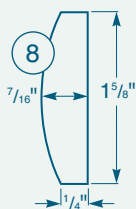
Leg Mortise Detail
(Bottom and Back Views)



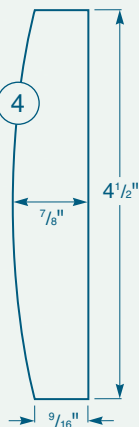
Exploded View



Drawer Handle
(Side View)



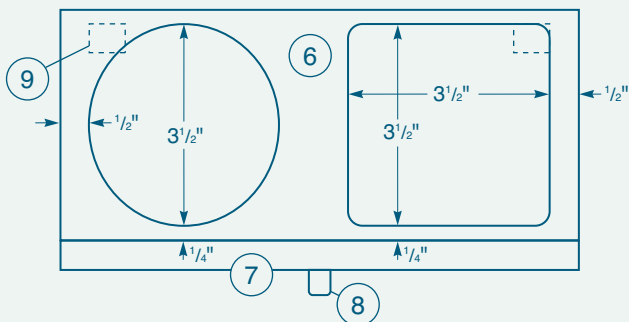
Leg
(Side View)



End
(End View)



Drawer Body
(Top View)



MATERIAL LIST

	T x W x L
1 Sides (2)	1/2" x 4" x 10"
2 Ends (2)	1/2" x 4" x 5"
3 Bottom (1)	1/4" x 4 1/2" x 9 1/2"
4 Legs (4)	3/8" x 7/8" x 4 1/2"
5 Drawer Supports (2)	3/8" x 1/2" x 4"
6 Drawer Body (1)	3/4" x 4" x 9"
7 Drawer Face (1)	1/2" x 1" x 9"
8 Drawer Handle (1)	3/8" x 7/16" x 1 5/8"
9 Drawer Blocks (2)	1/2" x 5/8" x 5/8"
10 Top (1)	3/4" x 6 1/2" x 11 1/8"
11 Hinges* (2)	3/8" x 1" Brass

* Specialty parts available from Rockler.com

Concealed Mini-Soss Hinges (Item #37428) \$17.99/pair