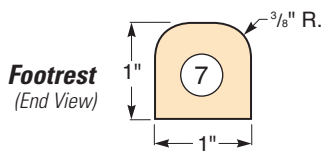


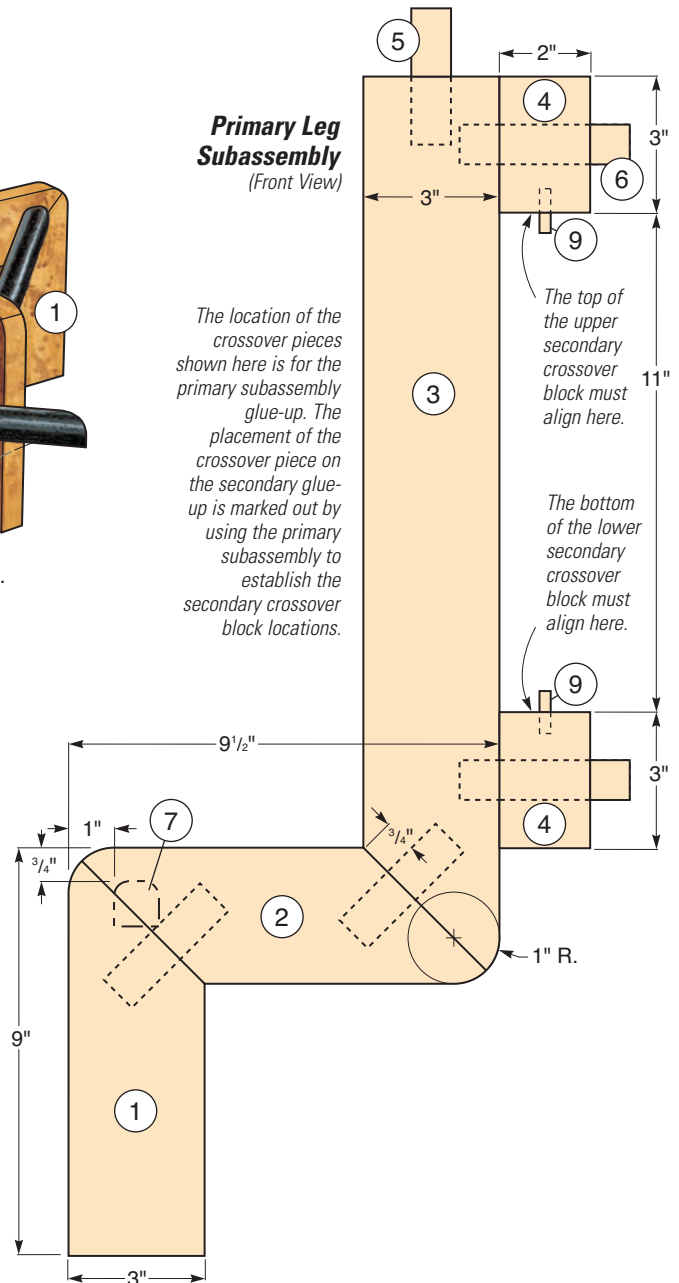
Exploded View



Footrest
(End View)

Primary Leg Subassembly
(Front View)

The location of the crossover pieces shown here is for the primary subassembly glue-up. The placement of the crossover piece on the secondary glue-up is marked out by using the primary subassembly to establish the secondary crossover block locations.



MATERIAL LIST

	T x W x L
1 Lower Legs (4)	1" x 3" x 9"
2 Center Legs (4)	1" x 3" x 9 1/2"
3 Upper Legs (4)	1" x 3" x 20"
4 Crossover Pieces (4)	1" x 3" x 2"
5 Short Dominos (10)	8mm x 80mm
6 Long Dominos (4)	8mm x 120mm
7 Footrests (4)	1" x 1" x 12 3/4"
8 Seats (3)	1 1/4" x 13 1/2" x 13 1/2"
9 Dowels (2)	1/4" diameter x 1"
10 Lazy Susan (1)	4" (optional)