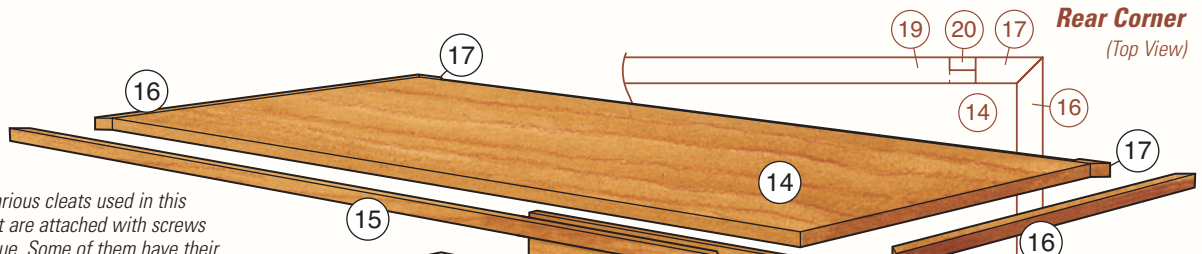
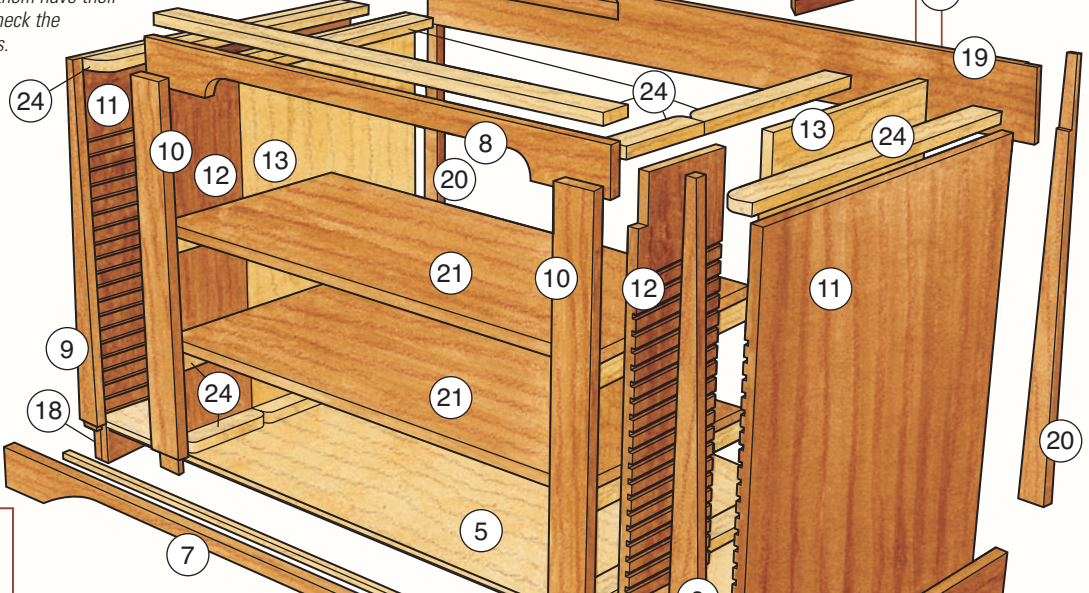


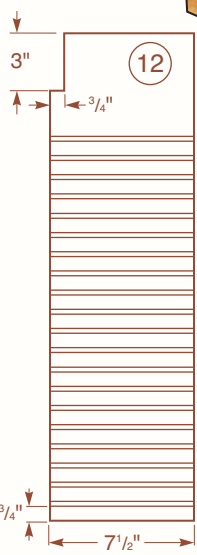
Rear Corner
(Top View)



The various cleats used in this project are attached with screws and glue. Some of them have their ends rounded — check the drawings for details.

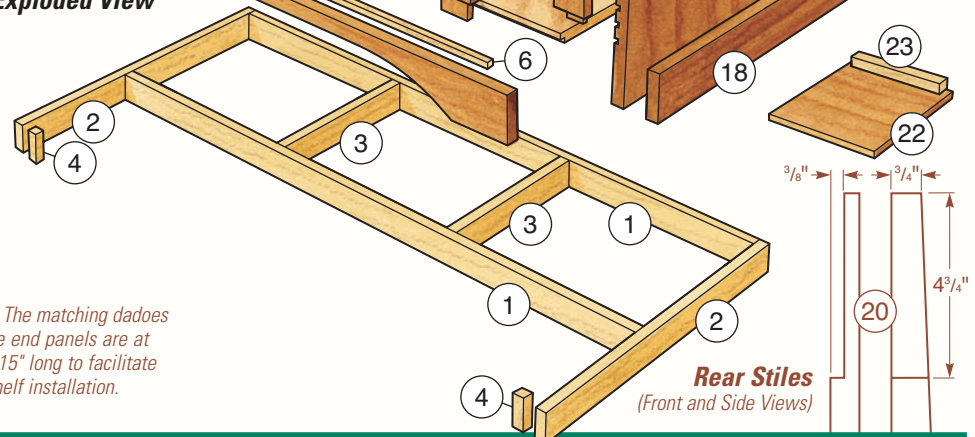


Front Divider
(Side View)

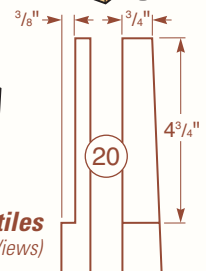


Exploded View

Note: The matching dadoes on the end panels are at least 15" long to facilitate the shelf installation.

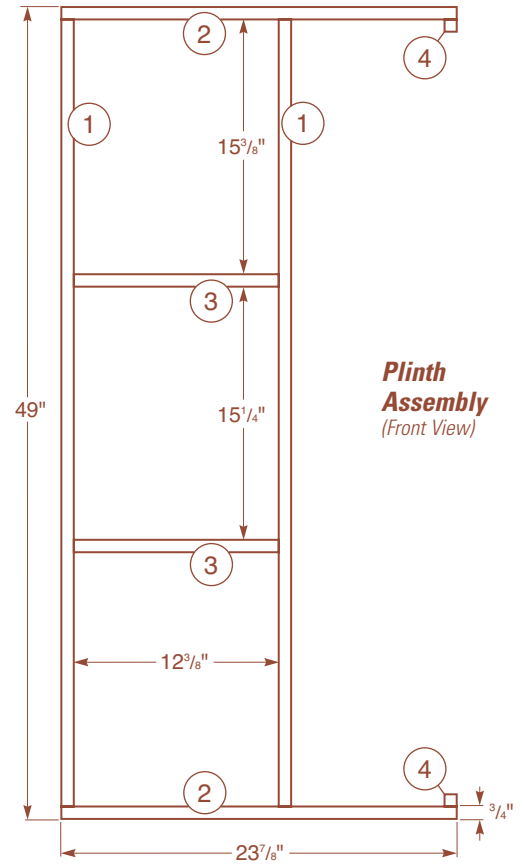
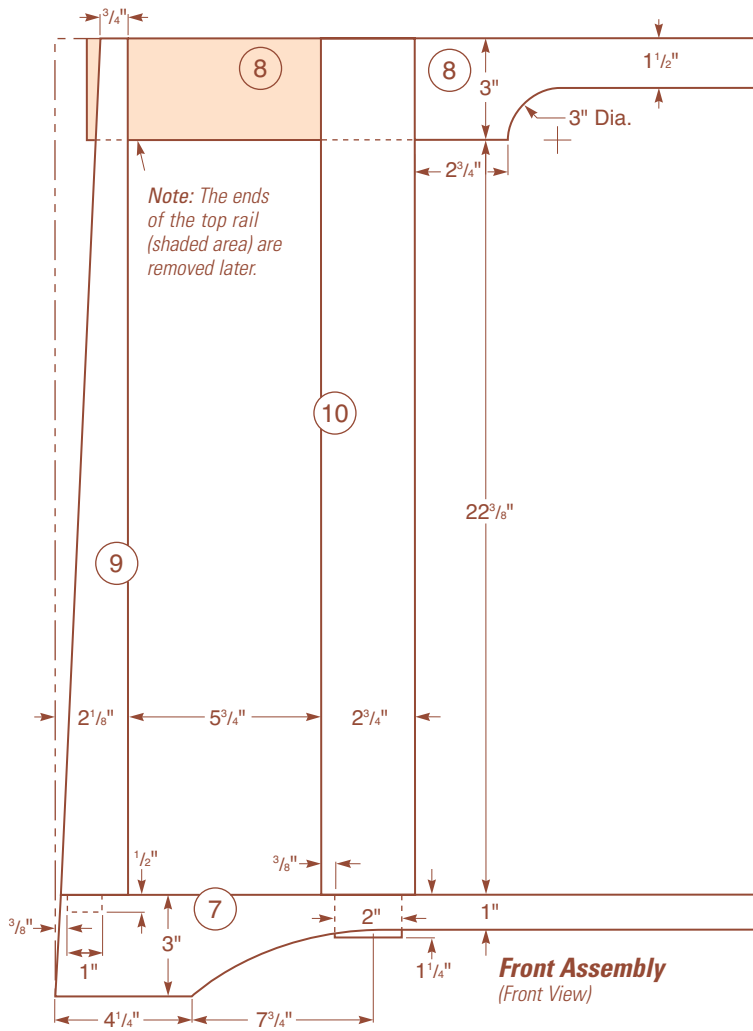


Rear Stiles
(Front and Side Views)



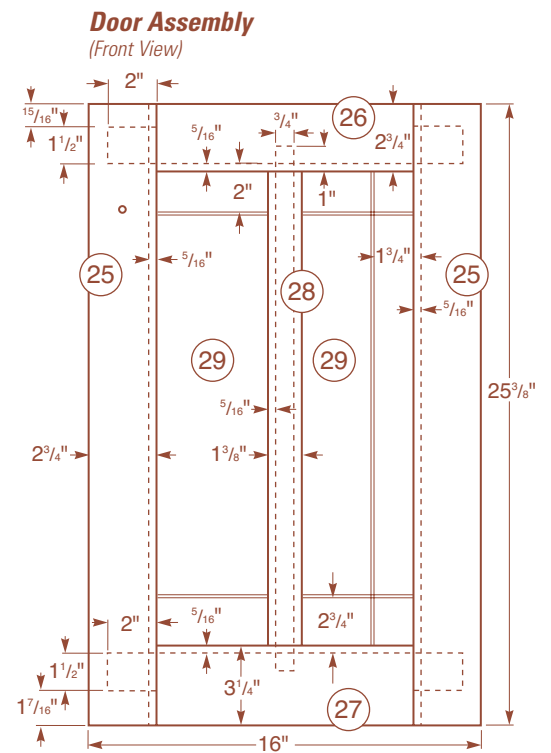
MATERIAL LIST (CASE)

Plinth	T x W x L	Case	T x W x L
1 Plinth Runners (2)	3/4" x 2 1/8" x 47 1/2"	11 End Panels (2)	3/4" x 23 3/8" x 28 3/8"
2 Plinth Ends (2)	3/4" x 2 1/8" x 23 3/8"	12 Front Dividers (2)	3/4" x 7 1/2" x 25 3/8"
3 Plinth Crossmembers (2)	3/4" x 2 1/8" x 12 3/8"	13 Rear Dividers (2)	3/4" x 16 3/8" x 25 3/8"
4 Glue Blocks (2)	3/4" x 3 3/4" x 2 1/8"	14 Top Panel (1)	3/4" x 26" x 53"
5 Plinth Deck (1)	3/4" x 23 3/8" x 49"	15 Front Edge Band (1)	3/4" x 3/4" x 54 1/2"
6 Plinth Cleat (1)	3/8" x 3/8" x 49"	16 End Edge Band (2)	3/4" x 3/4" x 27 1/2"
Front		17 Back Edge Band (2)	3/4" x 3/4" x 2" (to fit)
7 Bottom Rail (1)	3/4" x 3" x 53 1/4"	18 Bottom End Trim (2)	3/4" x 3" x 23 3/8"
8 Top Rail (1)	3/4" x 3" x 50 3/8"	19 Rear Trim (1)	3/4" x 4 3/4" x 50 1/2"
9 Tapered Stiles (2)	3/4" x 2 1/8" x 25 3/8"	20 Rear Tapered Stiles (2)	3/4" x 2" x 30"
10 Inner Stiles (2)	3/4" x 2 3/4" x 26 5/8"	21 Middle Shelves (2)	3/4" x 15" x 35 13/16"
		22 Solid Oak Small Shelves (40)	1/4" x 7 1/2" x 6 1/4"
		23 Shelf Stops (40)	1/2" x 1/2" x 5 3/4"
		24 Cleating	3/4" x 2" x 20 lineal feet



Small Shelf and Shelf Stop
(Front View)

The shelf stops were attached as a rub joint.





MATERIAL LIST (DOORS)

	T x W x L
25 Outer Stiles (4)	3/4" x 2 3/4" x 25 3/8"
26 Top Rails (2)	3/4" x 2 3/4" x 14 1/2"
27 Bottom Rails (2)	3/4" x 3 1/4" x 14 1/2"
28 Center Stiles (2)	3/4" x 1 3/8" x 21 3/8"
29 Panels (4)	3/4" x 5 1/16" x 19 3/16"
30 Door Pulls (2)	Bronze with Back Plate
31 Hinges (4)	1 1/2" x 2 1/2"
32 Stringing	1/4" x 1/4" x 8 lineal ft.