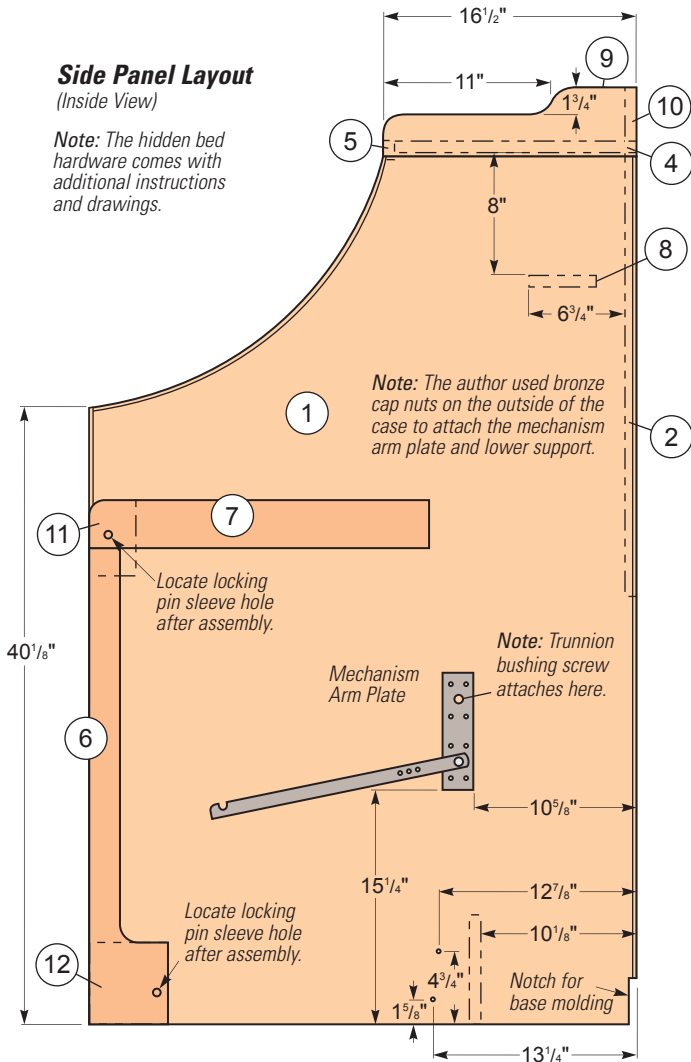


Side Panel Layout

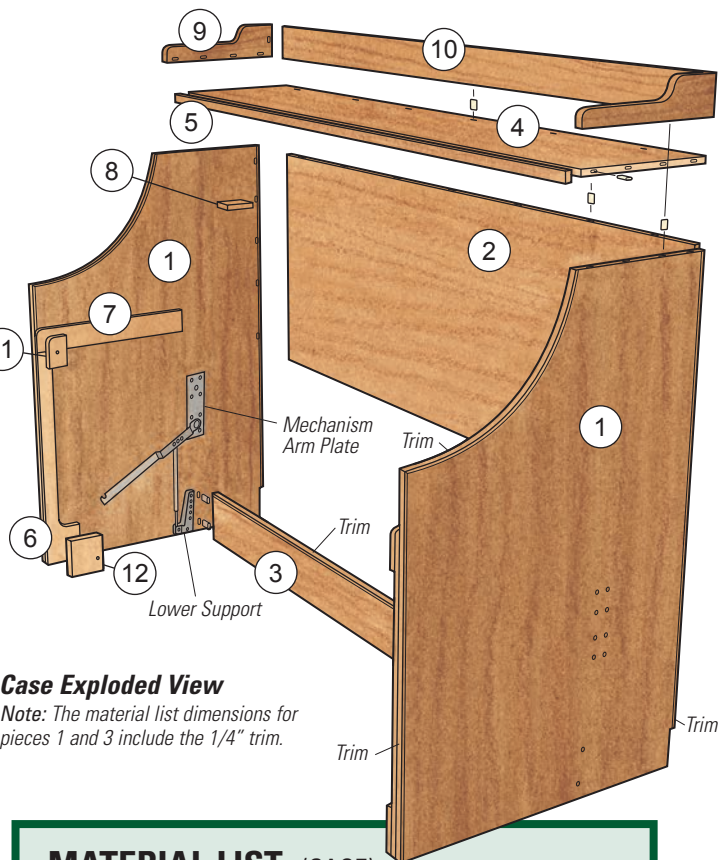
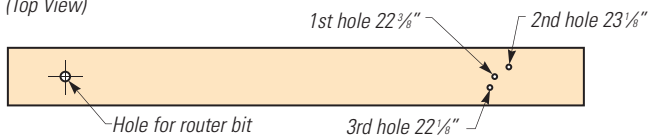
(Inside View)

Note: The hidden bed hardware comes with additional instructions and drawings.



Router Trammel Hole Layout

(Top View)



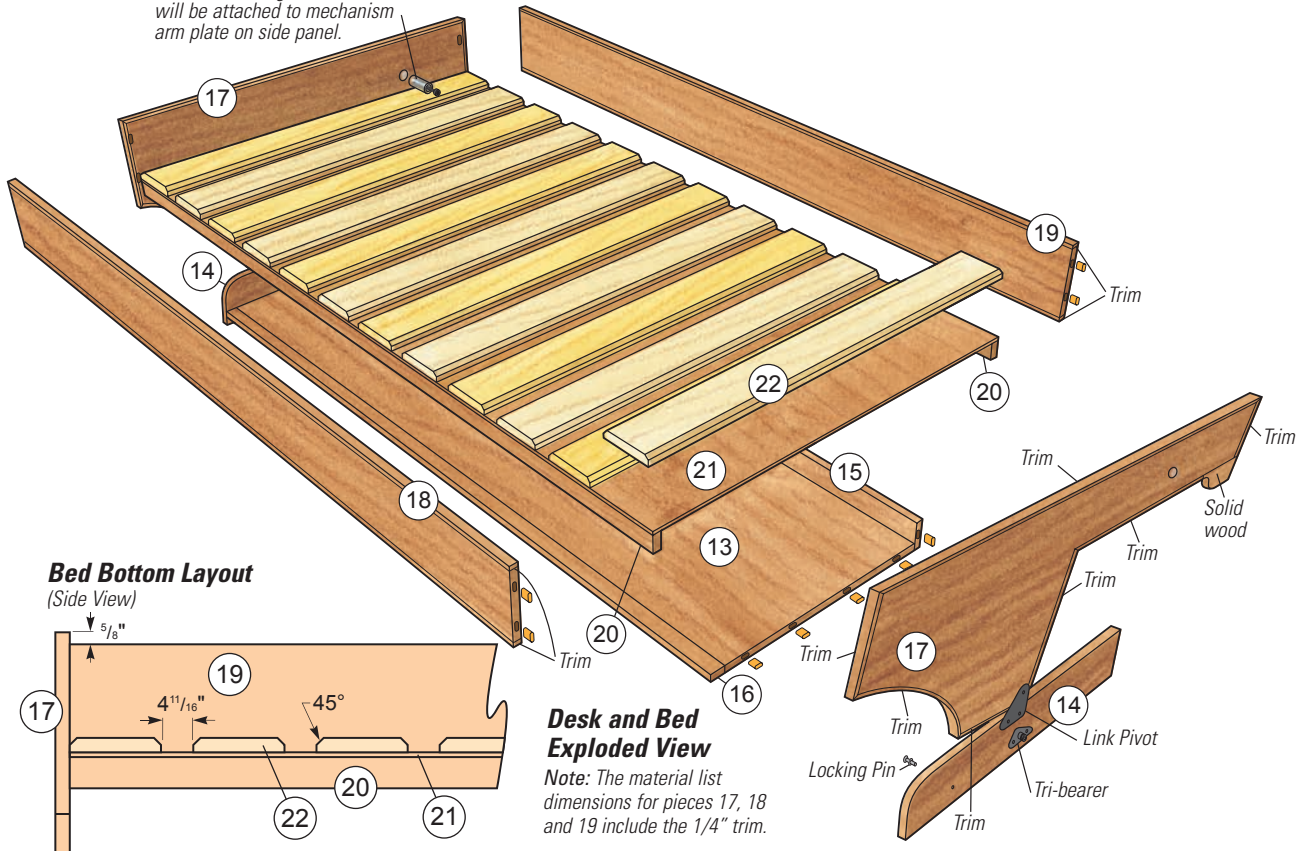
Case Exploded View

Note: The material list dimensions for pieces 1 and 3 include the 1/4" trim.

MATERIAL LIST (CASE)

	T x W x L
1 Sides (2)	3/4" x 35 5/8" x 56 1/2"
2 Back (1)	3/4" x 28 7/8" x 80 7/8"
3 Bottom Stretcher (1)	3/4" x 7 1/8" x 80 7/8"
4 Top (1)	3/4" x 15 3/4" x 80 7/8"
5 Top Stretcher (1)	3/4" x 1 1/4" x 80 7/8"
6 Front Side Body Concealers (2)	3/4" x 5 7/8" x 31"
7 Top Side Body Concealers (2)	3/4" x 3 3/8" x 22 7/8"
8 Bed Stops (2)	3/4" x 2 1/2" x 4 3/8"
9 Top Side Molding (2)	3/4" x 4 1/2" x 16 1/2"
10 Top Back Molding (1)	3/4" x 3 3/4" x 80 7/8"
11 Upper Locking Pin Blocks (2)	3/4" x 3" x 5"
12 Lower Locking Pin Blocks (2)	3/4" x 5 7/8" x 5 7/8"

Trunnion bushing and screw will be attached to mechanism arm plate on side panel.



Desk and Bed Exploded View

Note: The material list dimensions for pieces 17, 18 and 19 include the 1/4" trim.

MATERIAL LIST (DESK AND BED)

	T x W x L		T x W x L
13 Desk Top (1)	3/4" x 24 3/4" x 75 1/4"	18 Bed Front Rail (1)	3/4" x 7 7/8" x 75 1/4"
14 Desk Sides (2)	3/4" x 5 5/8" x 25 5/8"	19 Bed Back Rail (1)	3/4" x 7 1/2" x 75 1/4"
15 Desk Back (1)	3/4" x 3 3/8" x 75 1/4"	20 Bed Bottom Sheet Support Cleats (2)	3/4" x 1 5/8" x 75 1/4"
16 Desk Front Support (1)	3/4" x 2" x 75 1/4"	21 Bed Bottom Cover (1)	1/4" x 39 1/4" x 75 1/6"
17 Bed Ends (2)	3/4" x 20 3/4" x 41 1/4"	22 Bed Slats (12)	3/4" x 4 3/4" x 39 1/4"

Desk and Bed Layout (Side View)

