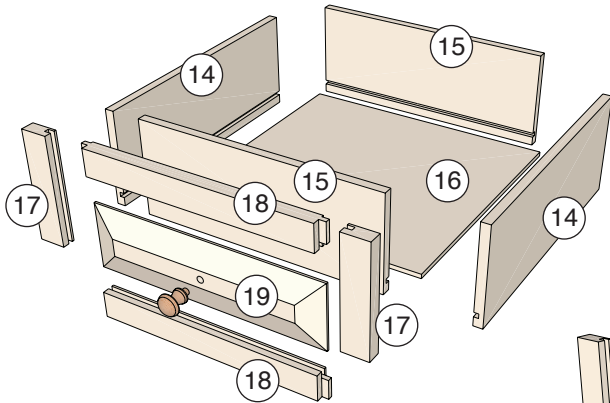


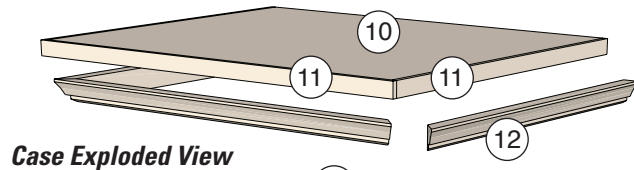


Bedside Cabinet with Raised Panels

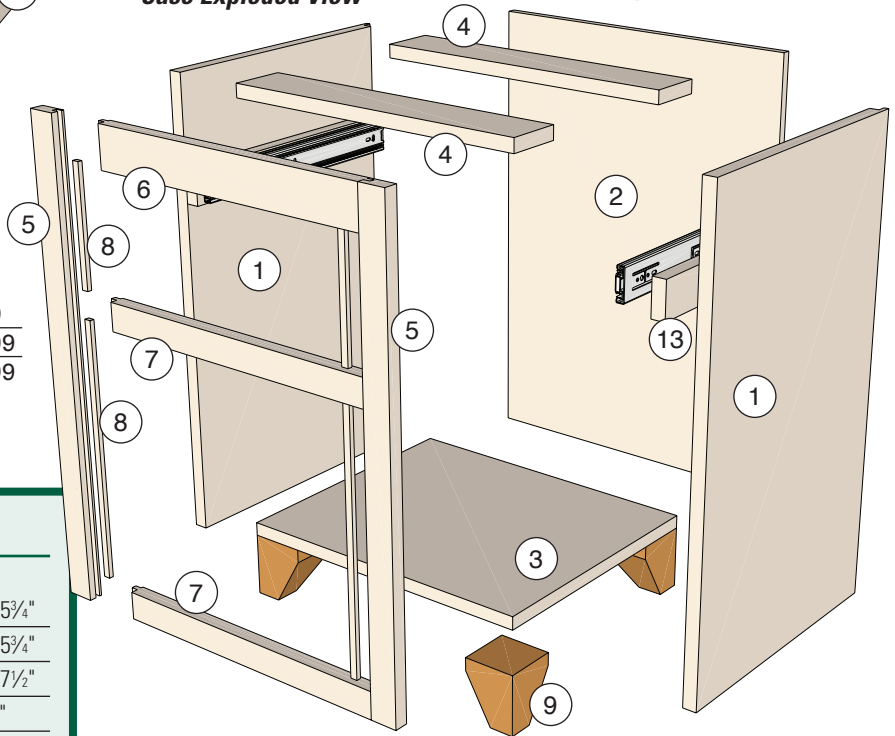
Use the techniques used in the Making Frame and Panel Doors using a Table Saw video to help you make this bedside cabinet.



Drawer Exploded View



Case Exploded View



Hard-to-Find Hardware

Cherry Shaker Pegs	78469	\$7.99
Blum Soft-Close 110° Hinge	35676	\$19.99
Centerline® 3612 Drawer Slides	44506	\$11.99

To purchase these and other products online, visit www.woodworkersjournal.com/hardware or call 800-610-0883 (code WJ1577).

MATERIAL LIST

Case

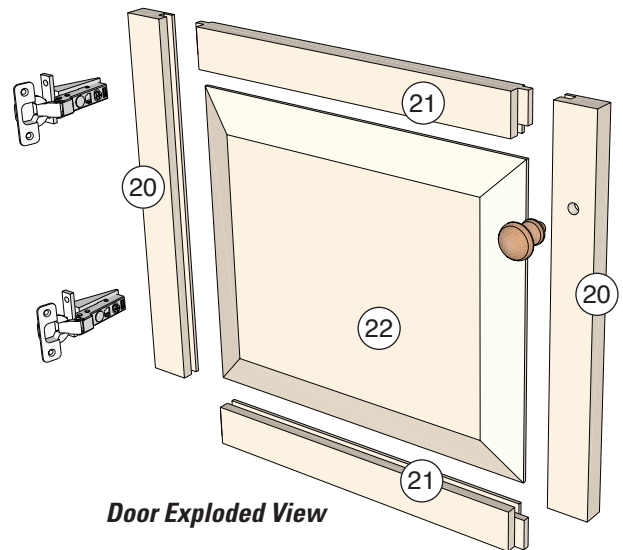
1 Case Sides (2)	3/4" x 15 1/4" x 25 3/4"
2 Case Back (1)	1/2" x 18 1/2" x 25 3/4"
3 Case Bottom (1)	3/4" x 14 3/4" x 17 1/2"
4 Case Upper Supports (2)	3/4" x 3" x 17 1/2"
5 Face Frame Stiles (2)	3/4" x 1 1/2" x 25 3/4"
6 Upper Face Frame Rail (1)	3/4" x 2 1/4" x 16 3/4"
7 Middle and Bottom Face Frame Rails (2)	3/4" x 1 1/2" x 16 3/4"
8 Groove Filler Strips (1)	1/4" x 3/8" x 45"
9 Feet (4)	3" x 3" x 3 1/2"
10 Top (1)	3/4" x 16 5/8" x 20 3/4"
11 Top Trim (1)	1/4" x 3/4" x 60"
12 Top Molding (1)	3/4" x 1 1/8" x 60"
13 Slide Supports (2)	3/4" x 2" x 14 3/4"

Drawer

14 Drawer Sides (2)	1/2" x 5 1/2" x 14 1/2"
15 Drawer Front and Back (2)	1/2" x 5 1/2" x 14"
16 Drawer Bottom (1)	1/4" x 14" x 14 1/2"
17 Drawer Face Stiles (2)	3/4" x 1 1/2" x 6 1/4"
18 Drawer Face Rails (2)	3/4" x 1 1/2" x 13 1/2"
19 Drawer Face Panel (1)	3/4" x 3 3/4" x 13 1/4"

Door

20 Door Stiles (2)	3/4" x 1 1/2" x 13 3/4"
21 Door Rails (2)	3/4" x 1 1/2" x 13 1/2"
22 Door Panel (1)	3/4" x 11 1/2" x 13 1/4"



Door Exploded View