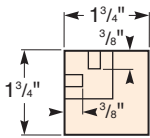
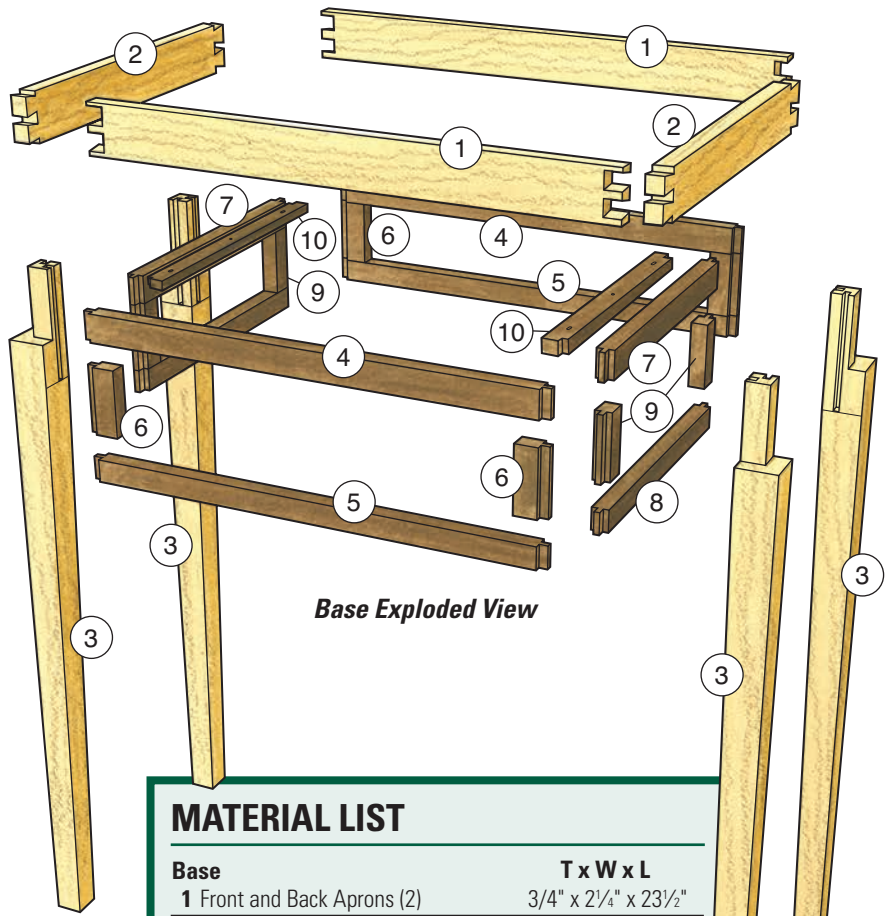
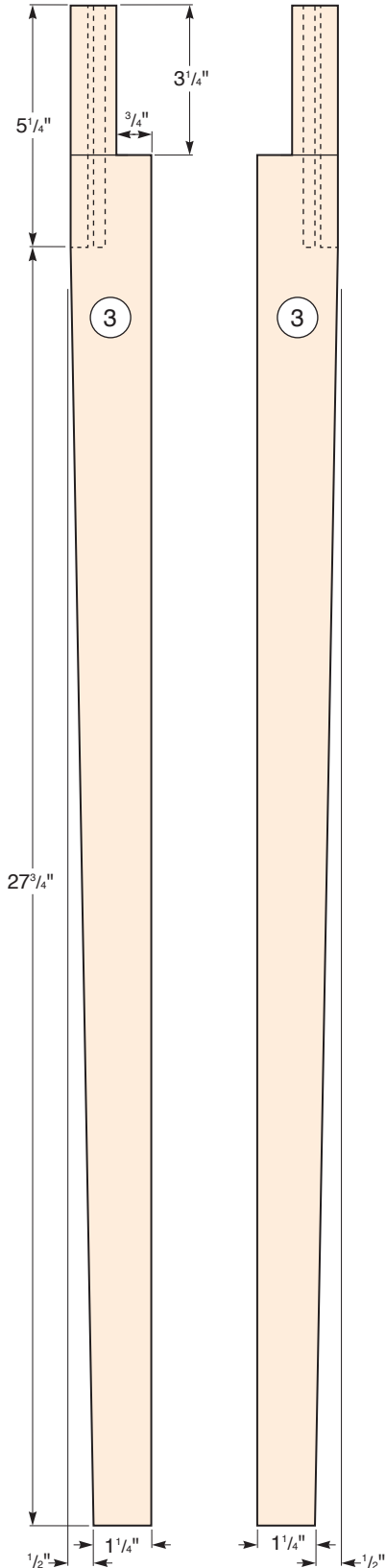
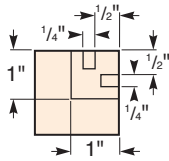


### Right Front Leg

(Top and Front Views)



(Top and Side Views)



Base Exploded View

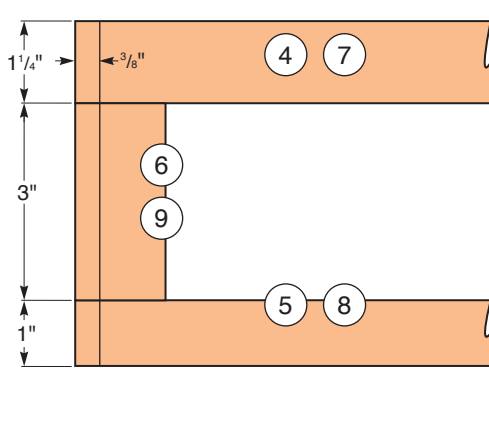
### MATERIAL LIST

Base	T x W x L
1 Front and Back Aprons (2)	3/4" x 2 1/4" x 23 1/2"
2 Side Aprons (2)	3/4" x 2 1/4" x 16"
3 Legs (4)	1 3/4" x 1 3/4" x 33"
4 Front, Back Frame Top Rails (2)	3/4" x 1 1/4" x 20 3/4"
5 Front, Back Frame Bottom Rails (2)	3/4" x 1" x 20 3/4"
6 Front, Back Frame Stiles (4)	3/4" x 3" x 1 3/8"
7 Side Frame Top Rails (2)	3/4" x 1 1/4" x 13 1/4"
8 Side Frame Bottom Rails (2)	3/4" x 1" x 13 1/4"
9 Side Frame Stiles (4)	3/4" x 3" x 1 3/8"
10 Cabinet Mounting Cleats (2)	1" x 1 1/2" x 13"

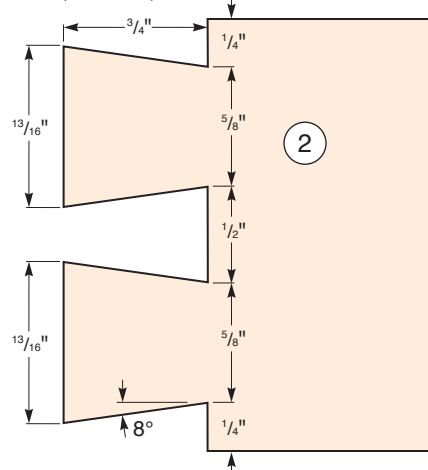
#### Frames (Top View)

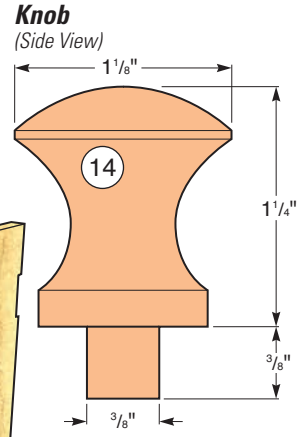
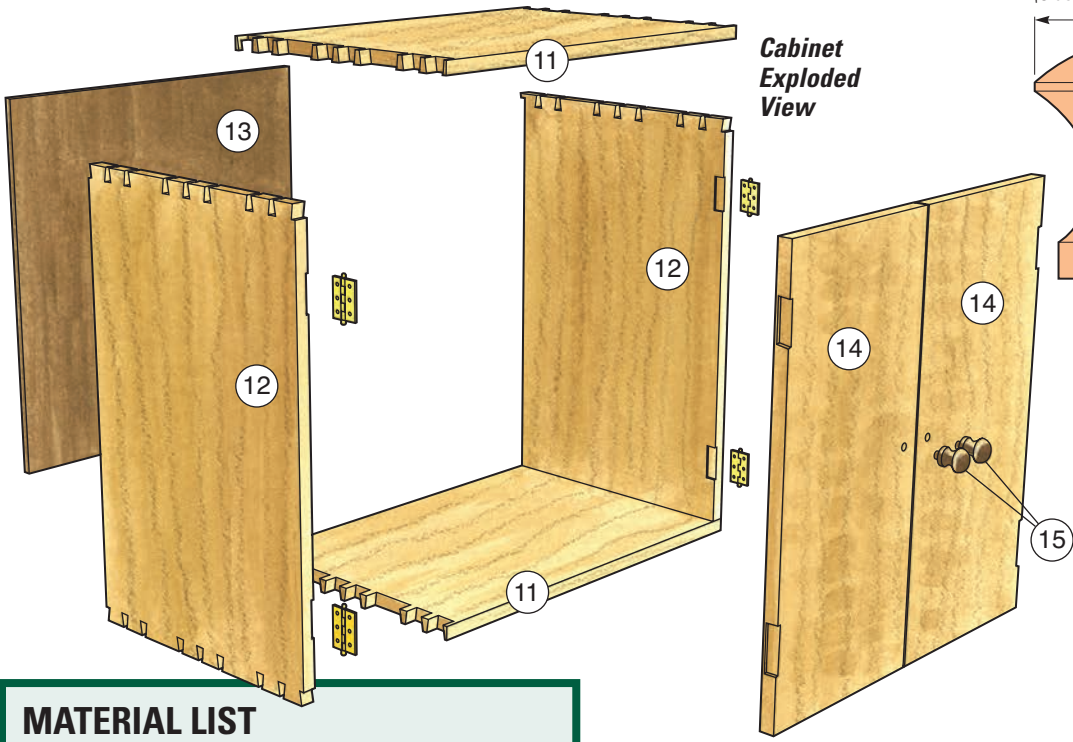
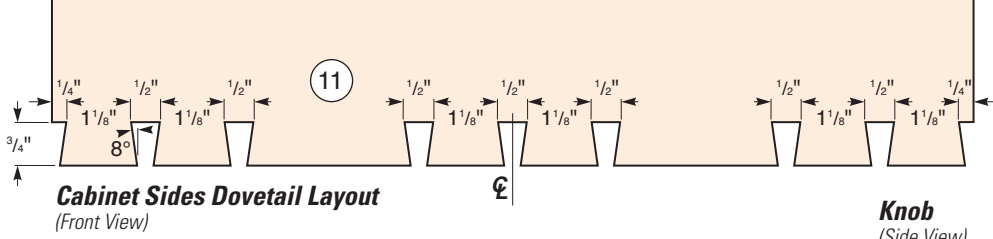


#### Frames (Front View)



#### Side Apron Dovetail Layout (Front View)





<b>MATERIAL LIST</b>	
<b>Cabinet</b>	<b>T x W x L</b>
<b>11</b> Top and Bottom (2)	3/4" x 16" x 23 1/2"
<b>12</b> Sides (2)	3/4" x 16" x 25"
<b>13</b> Back (1)	1/2" x 23" x 24 1/2"
<b>14</b> Doors (2)	3/4" x 10 7/8" x 23 3/8"
<b>15</b> Knobs (2)	1 1/8" Dia x 1 5/8" long