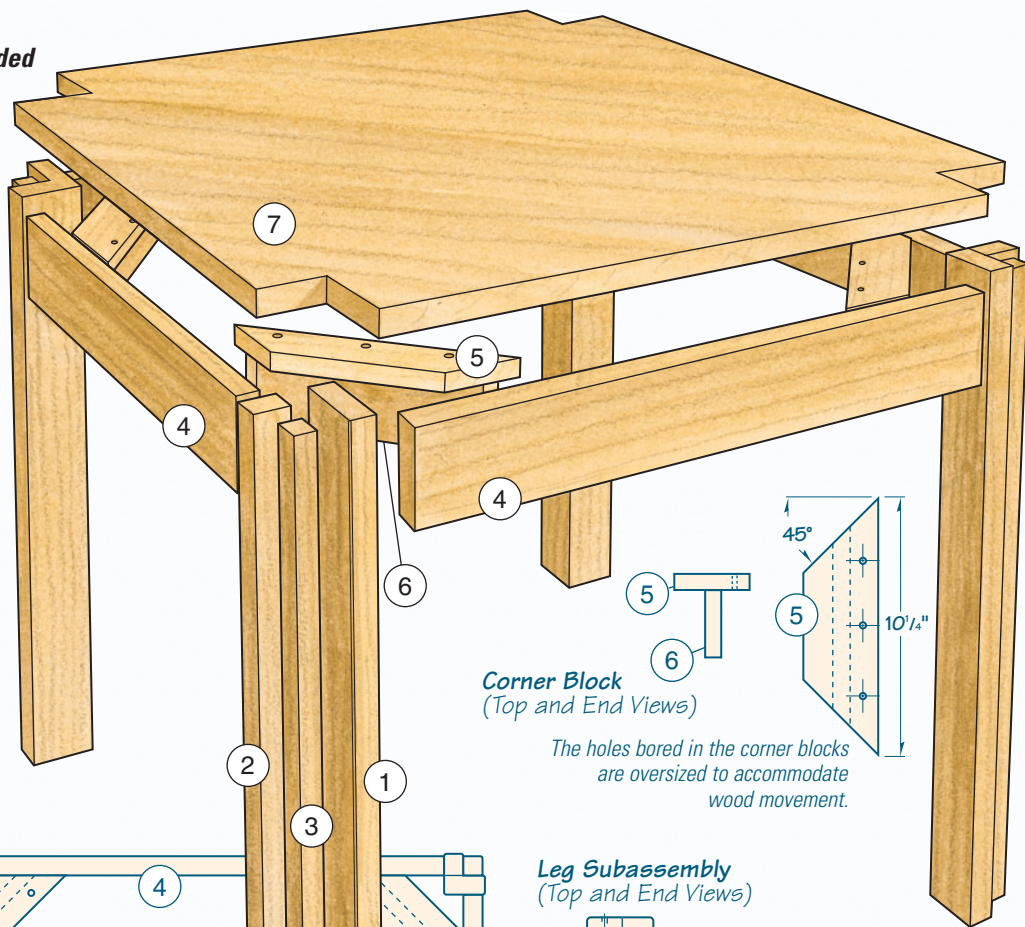


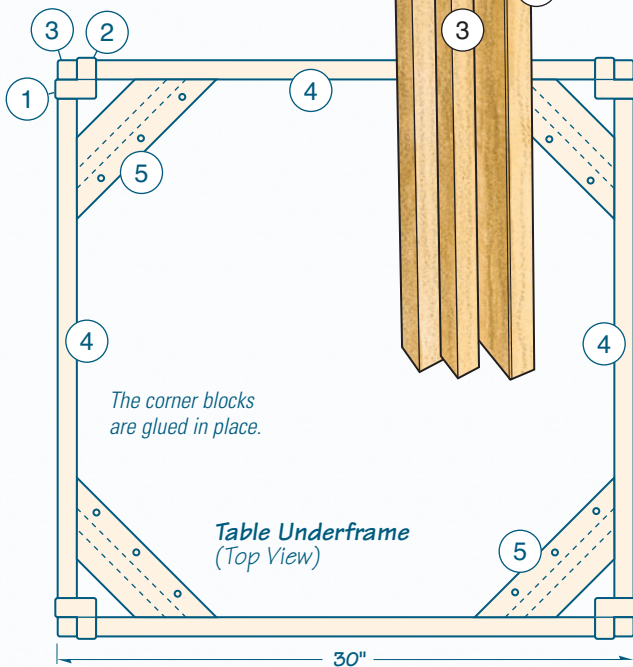
Table Exploded View



Corner Block
(Top and End Views)

The holes bored in the corner blocks are oversized to accommodate wood movement.

Leg Subassembly
(Top and End Views)



The corner blocks are glued in place.

Table Underframe
(Top View)

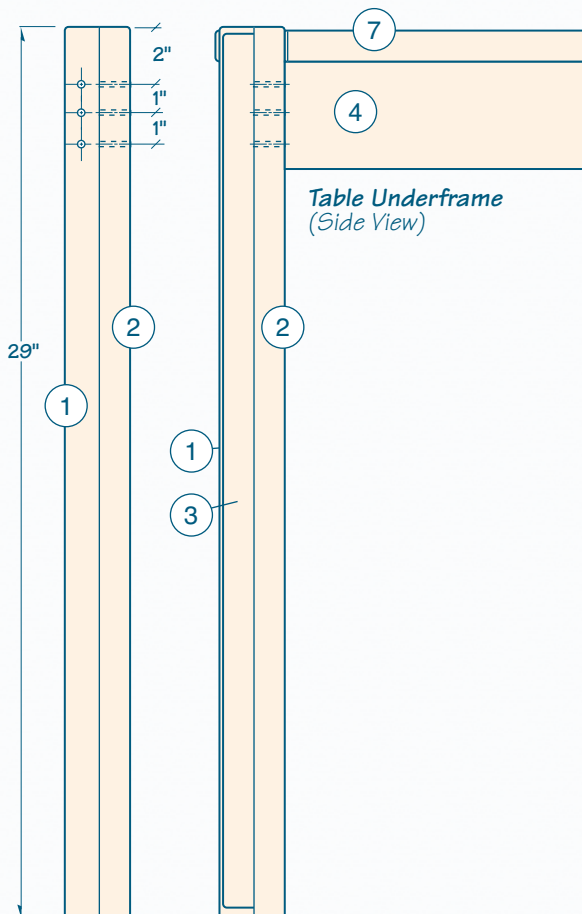
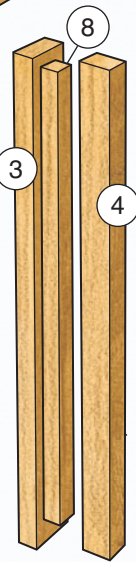
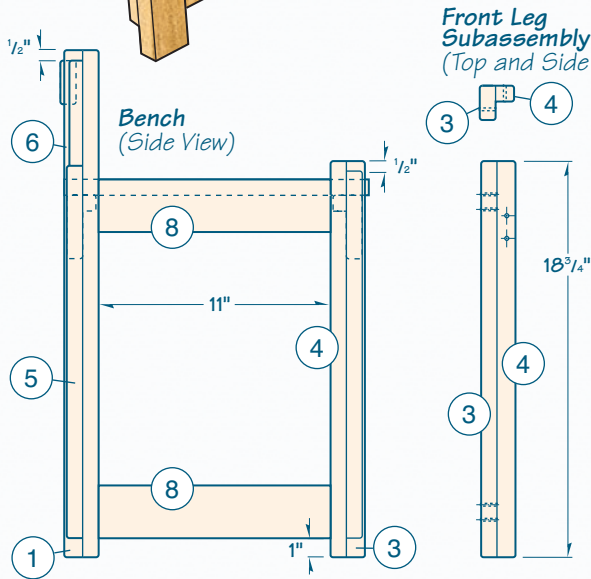
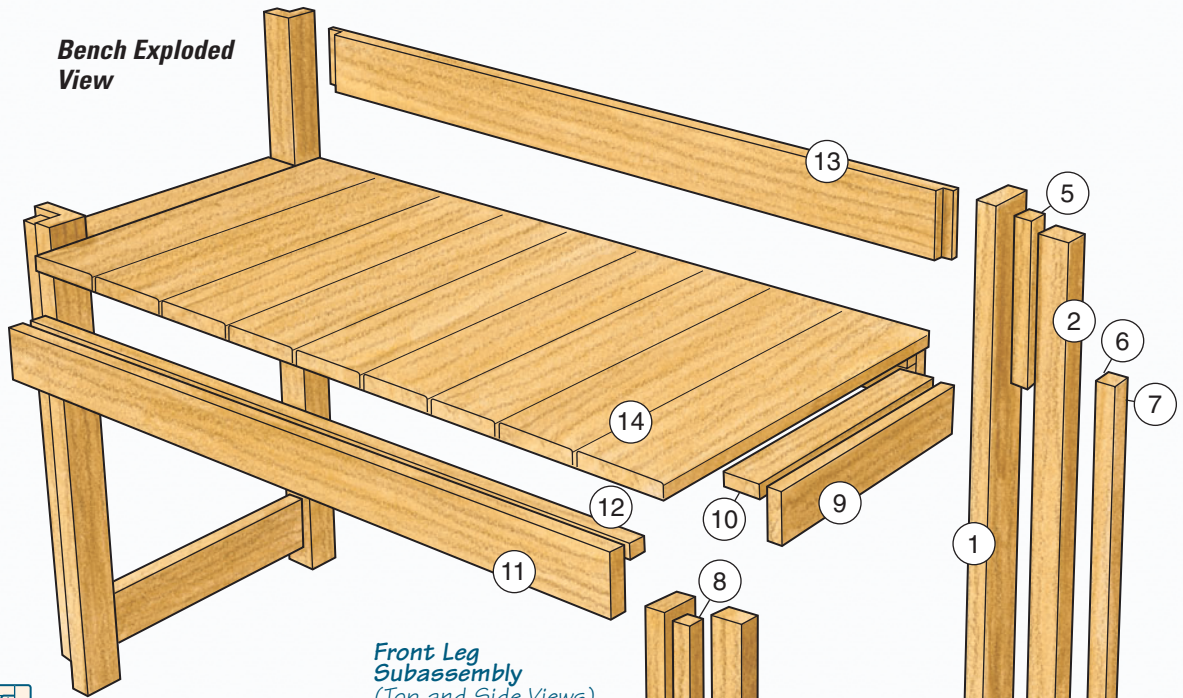


Table Underframe
(Side View)

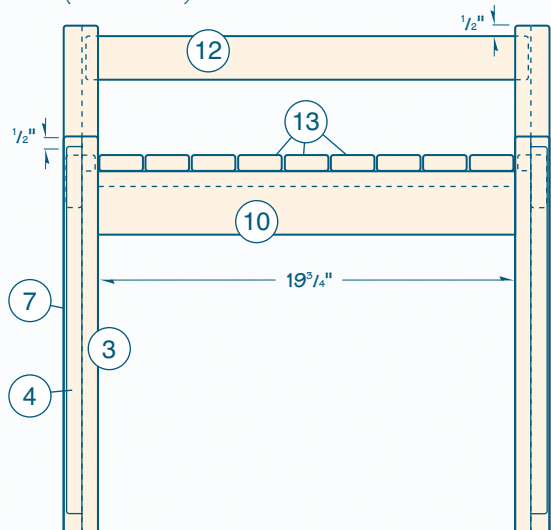
MATERIAL LIST (TABLE)

	T x W x L
1 Wide Leg Pieces (4)	1" x 2 1/8" x 29"
2 Narrow Leg Pieces (4)	1" x 1 1/8" x 29"
3 Leg Inserts (4)	1" x 1" x 28 1/2"
4 Rails (4)	1" x 3 1/2" x 26"
5 Horizontal Corner Blocks (4)	1" x 2 1/2" x 10 1/4"
6 Vertical Corner Blocks (4)	1" x 2" x 8"
7 Top (1)	1" x 30 3/4" x 30 3/4"

Bench Exploded View



Bench (Front View)



MATERIAL LIST (BENCHES)

	T x W x L
1 Wide Back Leg Pieces (4)	3/4" x 1 1/8" x 24"
2 Narrow Back Leg Pieces (4)	3/4" x 7/8" x 24"
3 Wide Front Leg Pieces (4)	3/4" x 1 1/8" x 18 3/4"
4 Narrow Front Leg Pieces (4)	3/4" x 7/8" x 18 3/4"
5 Back Leg Lower Inserts (4)	3/4" x 3/4" x 17 5/8"
6 Back Leg Upper Inserts (4)	1/2" x 1/2" x 5"
7 Front Leg Inserts (4)	3/4" x 3/4" x 17 1/4"
8 Top and Bottom Side Rails (8)	3/4" x 2 1/2" x 11"
9 Seat Infill (4)	5/8" x 3/4" x 11"
10 Front/Back Rails (4)	3/4" x 2 1/2" x 19 3/4"
11 Front/Back Rail Cleats (4)	5/8" x 3/4" x 19 3/4"
12 Bench Backs (2)	3/4" x 2 1/16" x 21"
13 Bench Slats (18)	3/4" x 2 1/16" x 15"

Side Frame Jig

Base board is 16" x 24"

