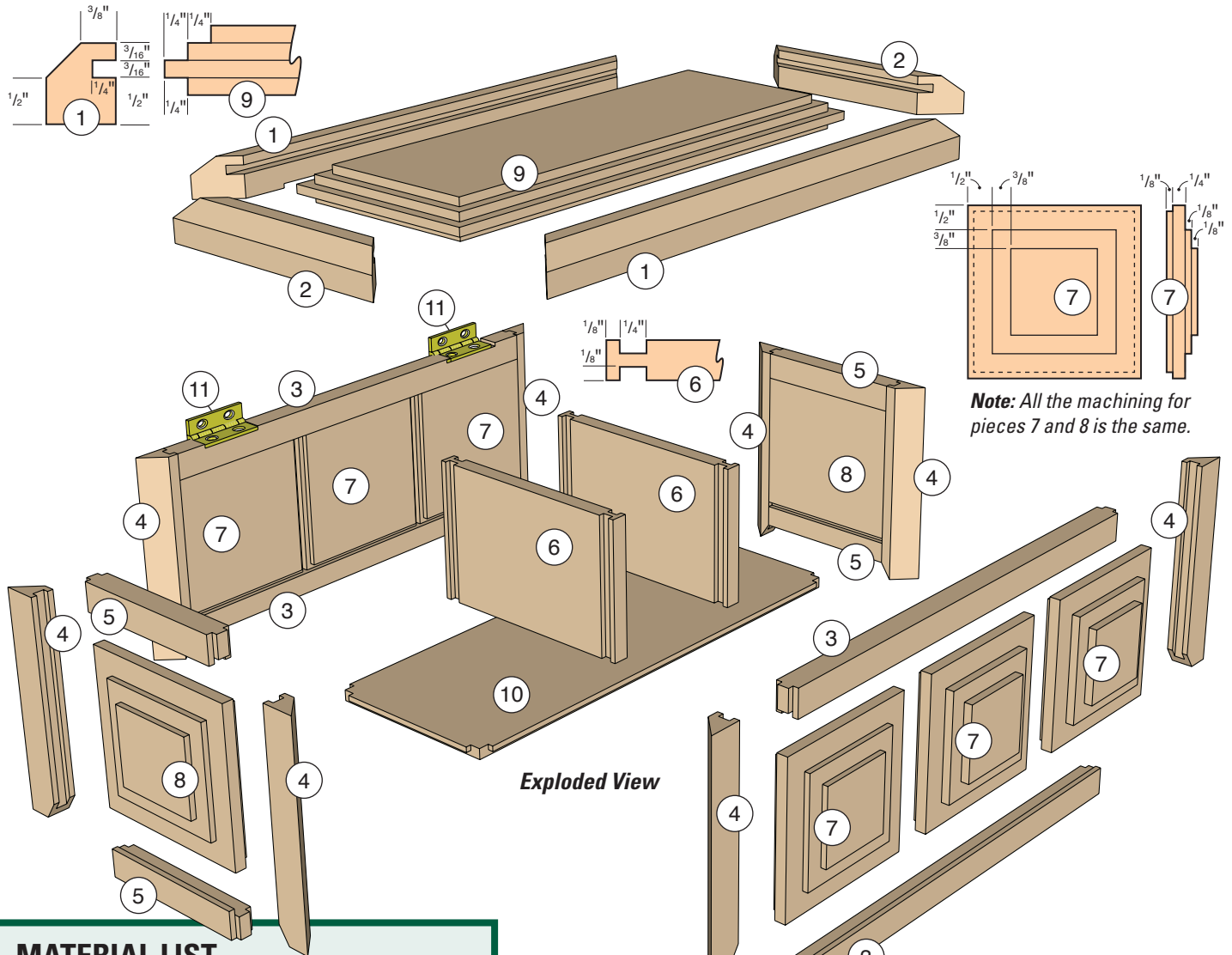




Dresser Valet

This simple box can be machined entirely on the table saw. We used white oak lumber but any hardwood would be suitable. See the video for assembly suggestions.



Exploded View

MATERIAL LIST

	T x W x L
1 Long Lid Trim (2)	3/4" x 7/8" x 12 1/2"
2 Short Lid Trim (2)	3/4" x 7/8" x 5 1/2"
3 Long Front and Back Trim (4)	1/2" x 5/8" x 10 3/4"
4 Short Front and Back Trim (8)	1/2" x 3/4" x 4 7/8"
5 Ends Top and Bottom Trim (4)	1/2" x 5/8" x 3 3/4"
6 Center Dividers (2)	3/8" x 3/4" X 5"
7 Front and Back Panels (6)	5/8" x 3 1/2" x 3 1/2"
8 End Panels (2)	5/8" x 3 1/2" x 3 3/4"
9 Top Panel (1)	3/4" x 4 1/2" x 11 1/2"
10 Bottom (1)	1/4" x 4 1/4" x 11 1/4"
11 Brass Hinges (2)	1 1/2"

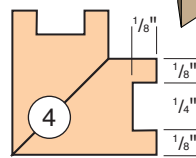
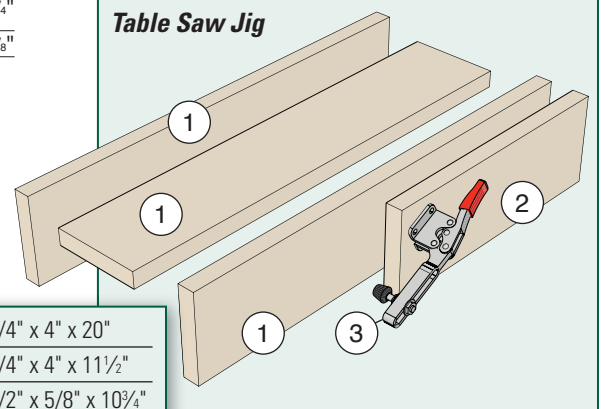


Table Saw Jig



1 Frames (3)	3/4" x 4" x 20"
2 Stop (1)	3/4" x 4" x 11 1/2"
3 Lever Clamp (1)	1/2" x 5/8" x 10 3/4"