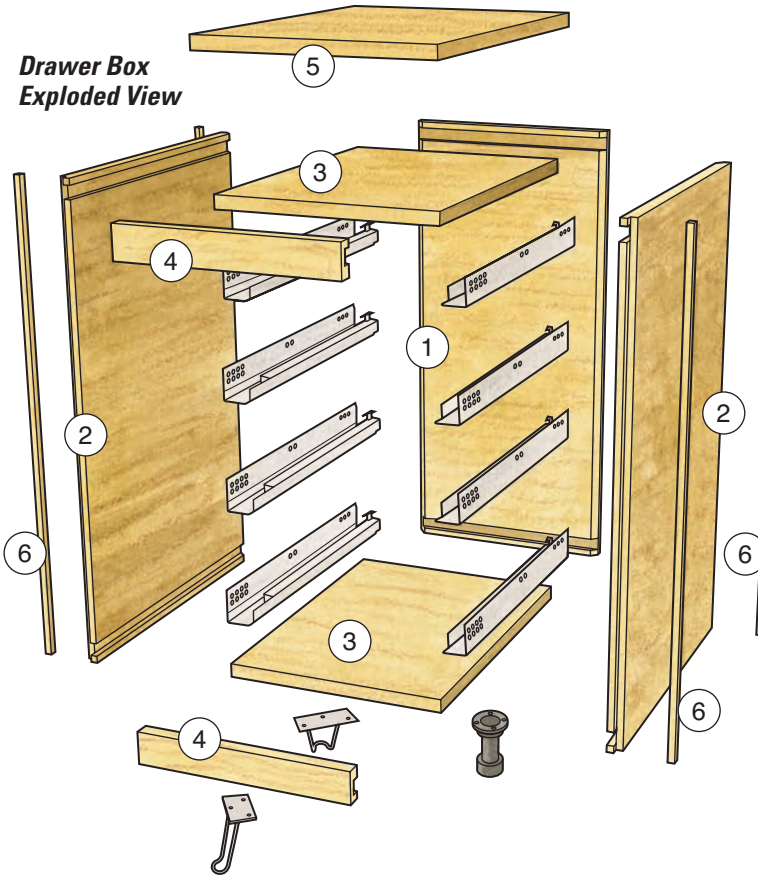
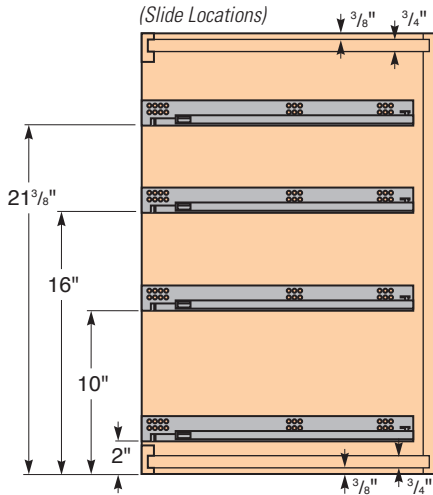


**Drawer Box
Exploded View**

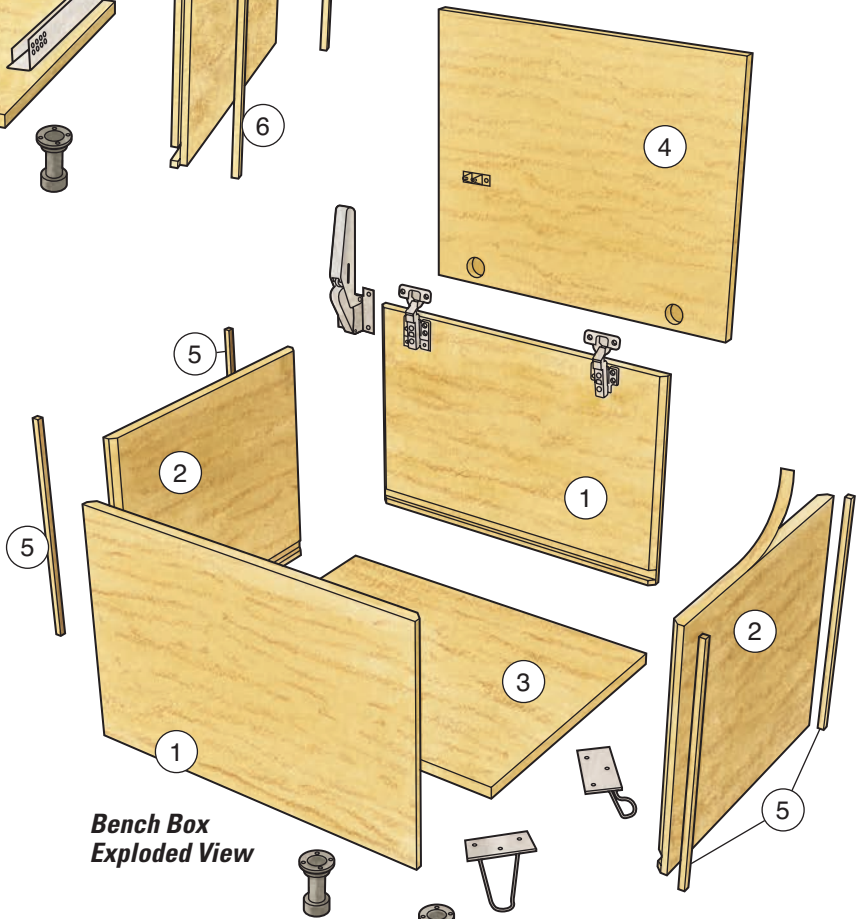


MATERIAL LIST	
Drawer Box	T x W x L
1 Back (1)	3/4" x 27" x 13"
2 Sides (2)	3/4" x 27" x 18"
3 Subtop and Bottom (2)	3/4" x 12 1/4" x 17 1/4"
4 Front Rails (2)	3/4" x 1 3/4" x 11 1/2"
5 Top (1)	3/4" x 18 3/4" x 13"
6 Corner Trim (1)	3/8" x 3/8" x 108"

**Drawer Box Side
(Slide Locations)**



**Bench Box
Exploded View**

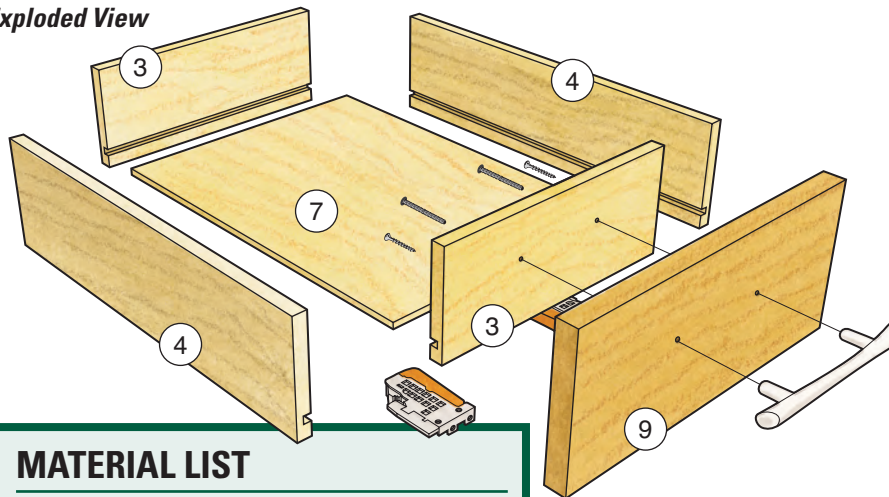


MATERIAL LIST	
Bench Box	T x W x L
1 Front and Back (2)	3/4" x 15" x 23"
2 Sides (2)	3/4" x 15" x 18"
3 Bottom (1)	3/4" x 17 1/4" x 22 1/4"
4 Seat (1)	3/4" x 18 3/4" x 22 1/8"
5 Corner Trim (1)	3/8" x 3/8" x 60"

Bench Box

Front 1	Side 2	Back 1	Side 2
Drawer Box			
Side 2	Back 1	Side 2	Drawer Faces 3
			Bench Box Bottom 3

**Drawer
Exploded View**



MATERIAL LIST

Drawers	T x W x L
1 Top Front and Back (2)	1/2" x 2 3/4" x 10"
2 Top Sides (2)	1/2" x 2 3/4" x 14 7/8"
3 Center Fronts and Backs (4)	1/2" x 4" x 10"
4 Center Sides (4)	1/2" x 4" x 14 7/8"
5 Bottom Front and Back (2)	1/2" x 6 1/4" x 10"
6 Bottom Sides (2)	1/2" x 6 1/4" x 14 7/8"
7 Bottoms (4)	1/4" x 10 1/2" x 14 3/8"
8 Top Face (1)	3/4" x 4 1/2" x 12 1/4"
9 Second Face (1)	3/4" x 5 1/4" x 12 1/4"
10 Third Face (1)	3/4" x 5 7/8" x 12 1/4"
11 Forth Face (1)	3/4" x 8 1/4" x 12 1/4"

Note: The drawer boxes for the second and third drawer are identical. The drawer faces are different sizes.