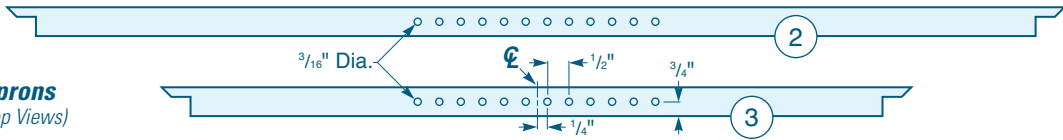
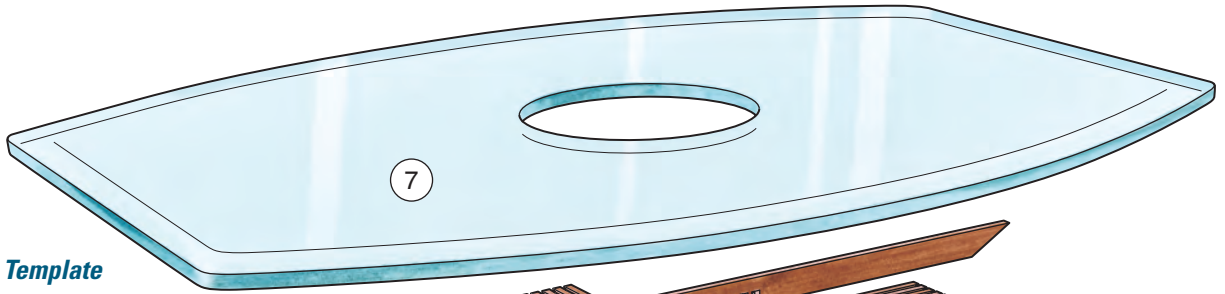
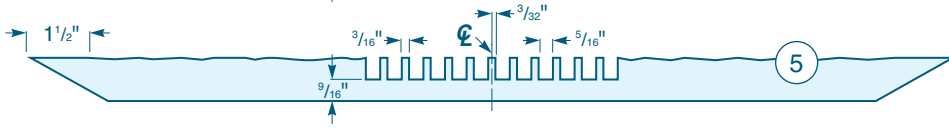


**Aprons**  
(Top Views)

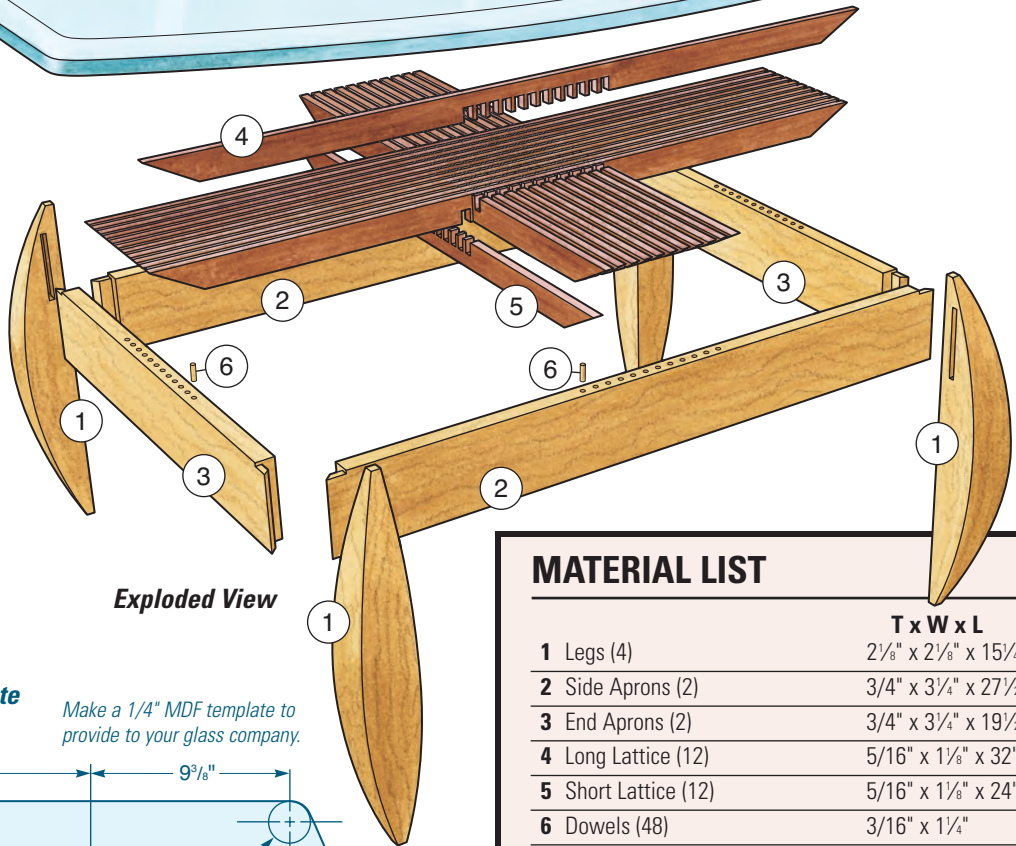
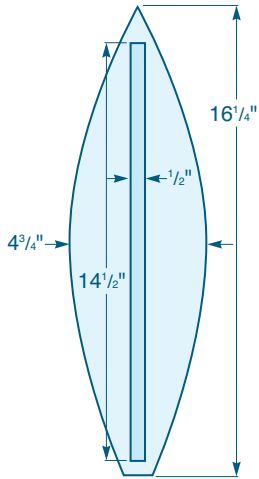


1 1/2" Start the textured top surfaces 1 1/2" from end.

**Lattice**  
(Side Views)



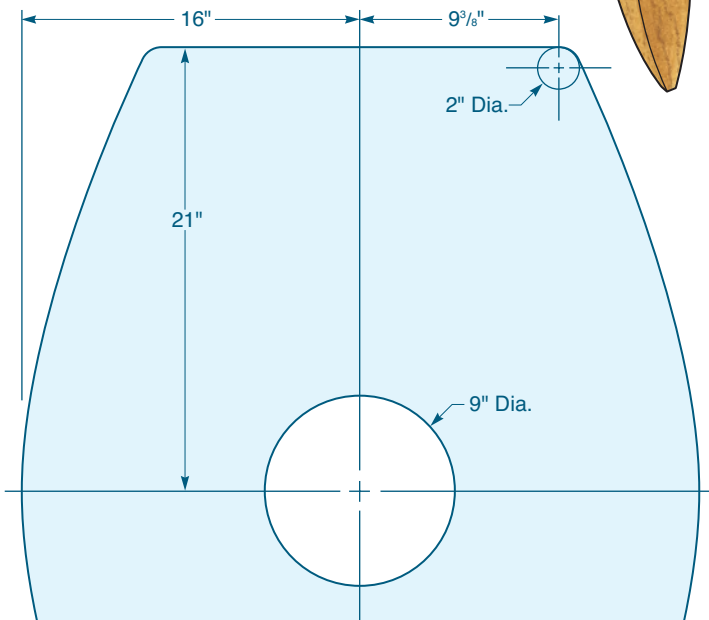
**Routing Template**  
(Top View)



**Exploded View**

**Glass Top Template**  
(Top View)

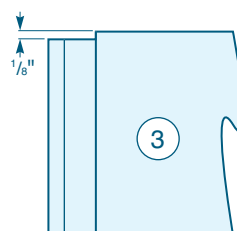
Make a 1/4" MDF template to provide to your glass company.



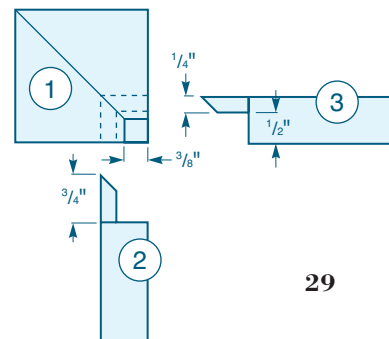
**MATERIAL LIST**

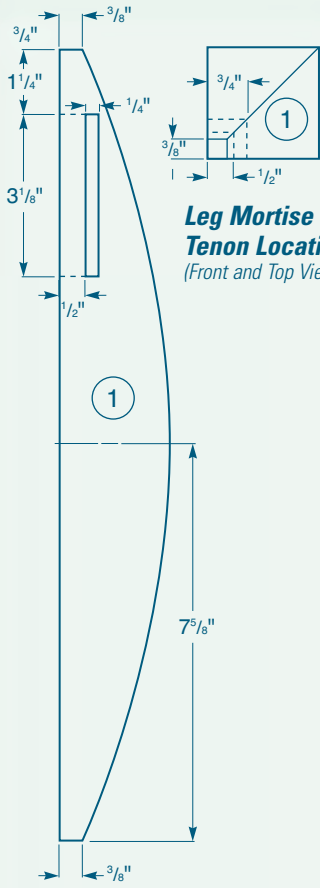
	T x W x L
1 Legs (4)	2 1/8" x 2 1/8" x 15 1/4"
2 Side Aprons (2)	3/4" x 3 1/4" x 27 1/2"
3 End Aprons (2)	3/4" x 3 1/4" x 19 1/2"
4 Long Lattice (12)	5/16" x 1 1/8" x 32"
5 Short Lattice (12)	5/16" x 1 1/8" x 24"
6 Dowels (48)	3/16" x 1 1/4"
7 Glass Top (1)	1/2" x 32" x 42"

**Apron**  
(Inside View)



**Leg and Aprons**  
(Top View)





**Leg Mortise and Tenon Locations**  
(Front and Top Views)