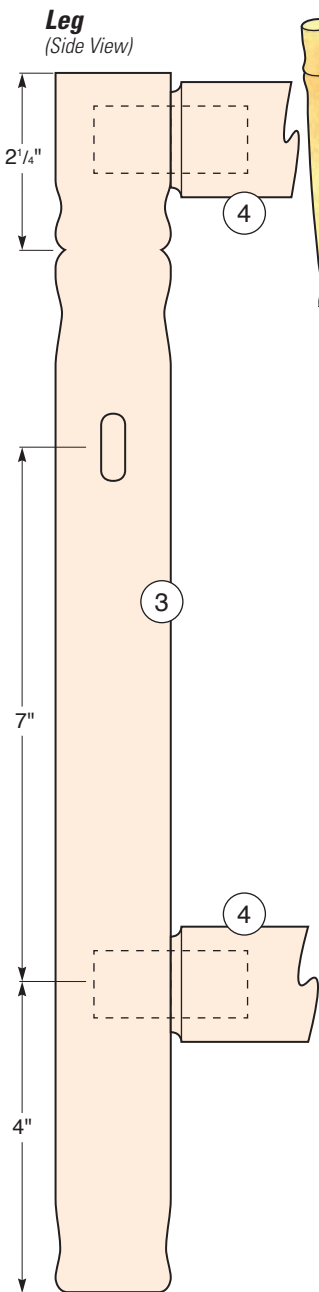
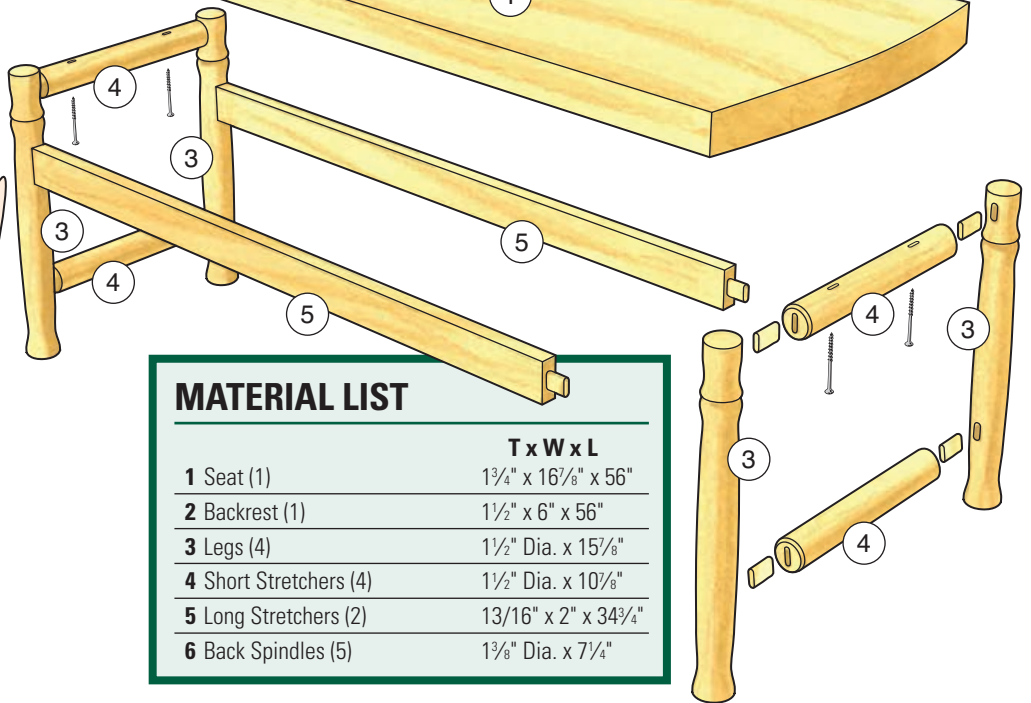


**Exploded View**



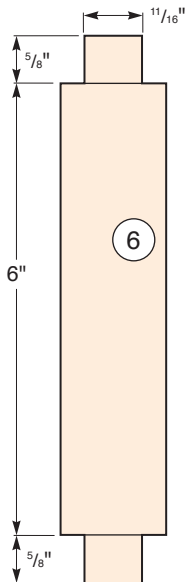
**Leg**  
(Side View)



**MATERIAL LIST**

	<b>T x W x L</b>
<b>1</b> Seat (1)	1 3/4" x 16 7/8" x 56"
<b>2</b> Backrest (1)	1 1/2" x 6" x 56"
<b>3</b> Legs (4)	1 1/2" Dia. x 15 7/8"
<b>4</b> Short Stretchers (4)	1 1/2" Dia. x 10 7/8"
<b>5</b> Long Stretchers (2)	13/16" x 2" x 34 3/4"
<b>6</b> Back Spindles (5)	1 3/8" Dia. x 7 1/4"

**Back Spindles**  
(Front View)



**Seat and Backrest**  
(Top View)

