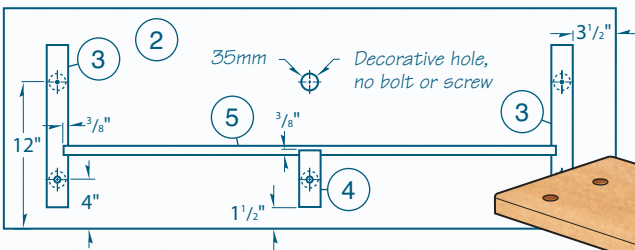
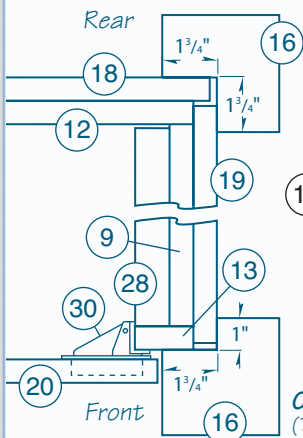
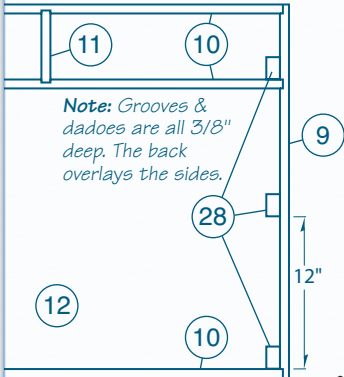


Counter Assembly (Bottom View)

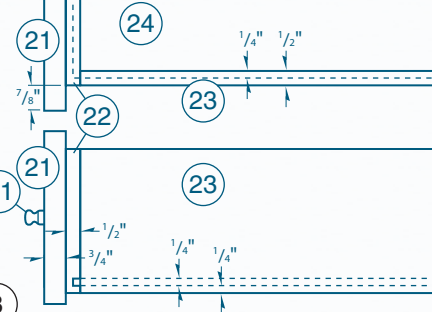


Case Assembly (Front View)



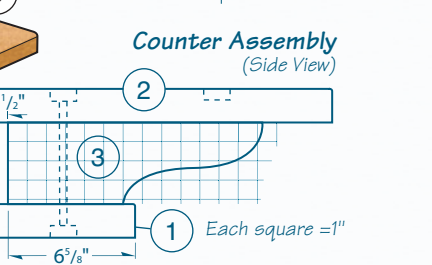
Corner Detail (Top View)

Drawer (Top View)

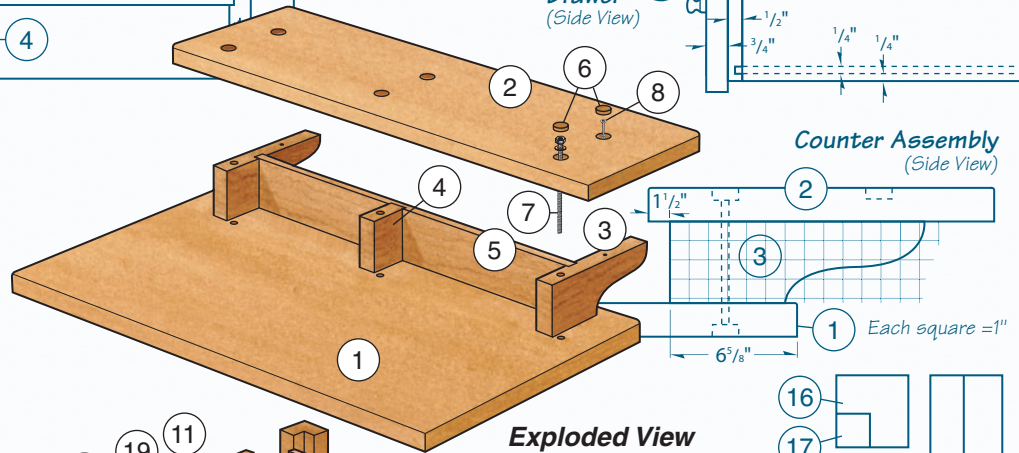


Note: The pullout shelves are made just like the drawers, but require no faces.

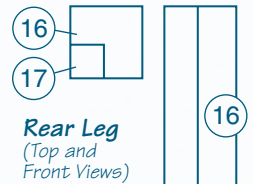
Drawer (Side View)



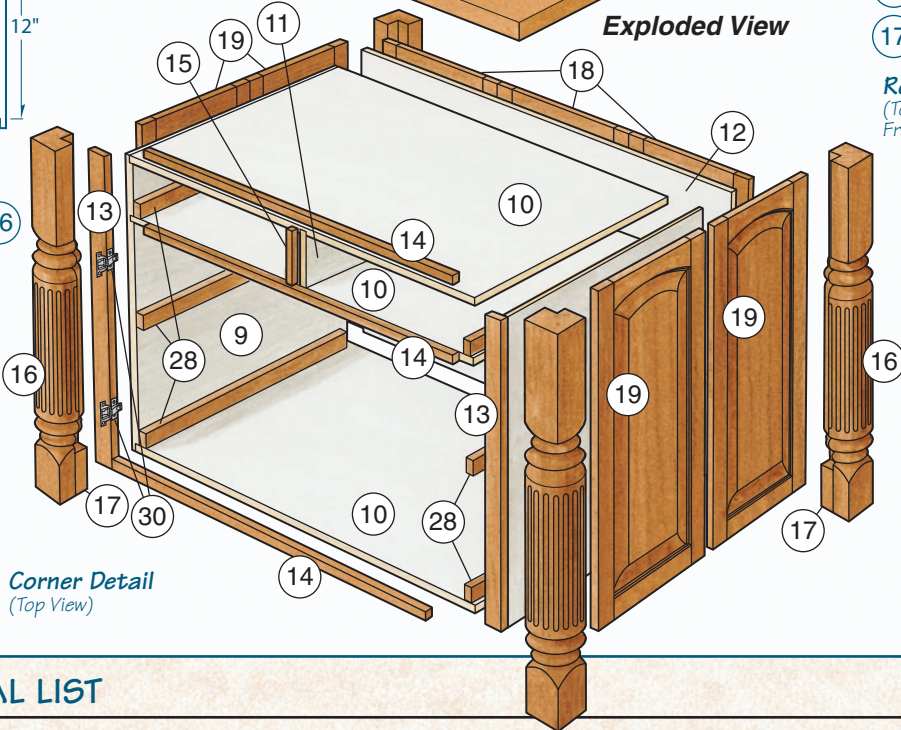
Counter Assembly (Side View)



Exploded View



Rear Leg (Top and Front Views)



MATERIAL LIST

	T x W x L		T x W x L
1 Top (1)	1 3/4" x 33 3/8" x 50"	17 Leg Fillers (4)	1 3/4" x (1" & 1 3/4") x 4"
2 Counter (1)	1 3/4" x 18" x 50"	18 Back Panels (3)	3/4" x 14" x 31 1/4"
3 Outer Counter Supports (2)	1 3/4" x 4 1/4" x 13 1/4"	19 Side Panels (4)	3/4" x 13 1/2" x 31 1/4"
4 Inner Counter Support (1)	1 3/4" x 4 1/4" x 4 5/8"	20 Doors (2)	3/4" x 18 3/4" x 24 3/4"
5 Counter Apron (1)	3/4" x 4 1/4" x 40 1/4"	21 Drawer Faces (2)	3/4" x 6" x 18 3/4"
6 Large Plugs (3 sets) #38119	35mm	22 Drawer Fronts & Backs (4)	1/2" x 5" x 17"
7 Bolts, Washers and Nuts (3 sets)	Hex Head, 3/8" x 7"	23 Drawer Sides (4)	1/2" x 5" x 21"
8 Large Wood Screws (2)	3" x #10	24 Drawer Bottoms (2)	1/4" x 16 1/2" x 21 1/2"
9 Casework Sides (2)	3/4" x 25 1/4" x 31 1/4"	25 Pullout Shelves, Fronts & Backs (4)	1/2" x 3 1/2" x 35 1/2"
10 Casework Top, Bottom, Middle (3)	3/4" x 25 1/4" x 39 1/2"	26 Pullout Shelves, Sides (4)	1/2" x 3 1/2" x 21"
11 Casework Drawer Divider (1)	3/4" x 6" x 25 1/4"	27 Pullout Shelves, Bottoms (2)	1/4" x 21 1/2" x 35"
12 Casework Back (1)	3/4" x 31 1/4" x 40 1/2"	28 Slide Supports (6)	1 1/8" x 2 1/4" x 25"
13 Face Frame Stiles (2)	3/4" x 1 7/8" x 31 1/8"	29 Full-extension Slides (4 sets)	22", White
14 Face Frame Rails (3)	3/4" x 3/4" x 39"	30 Face Frame Hinges (2 pairs)	European Style
15 Face Frame Middle Stile (1)	3/4" x 3/4" x 5 1/2"	31 Drawer Pulls (2)	3" Antique Brass
16 Front and Back Legs (4)	3 3/4" x 3 3/4" x 35 1/4"	32 Door Knobs (2)	1 1/4" Antique Brass