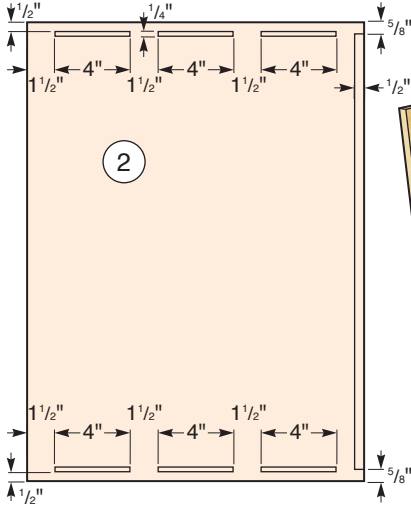
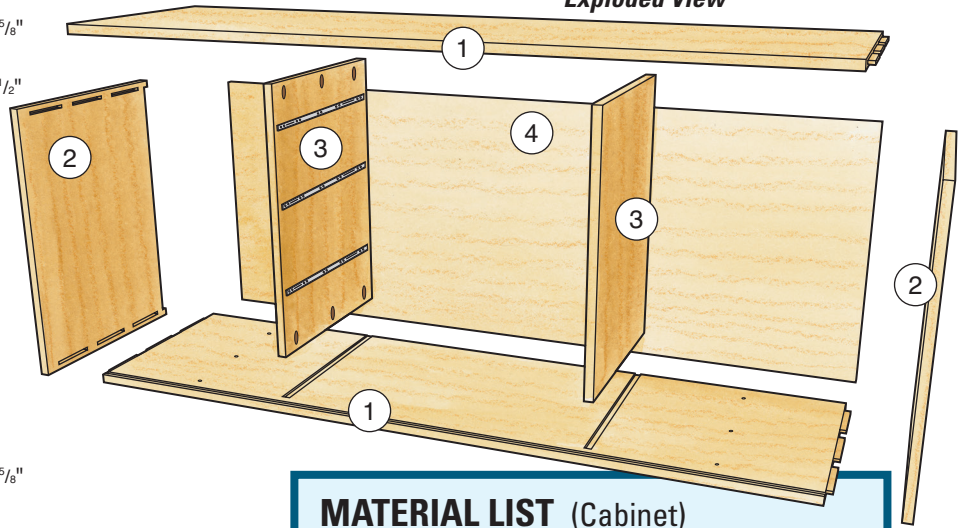


Side

(Inside View)



Exploded View

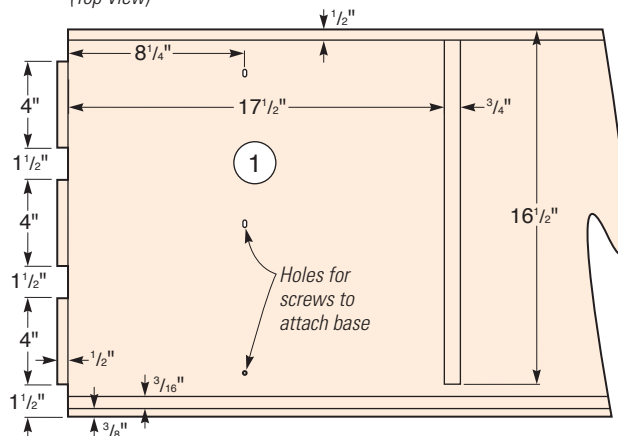


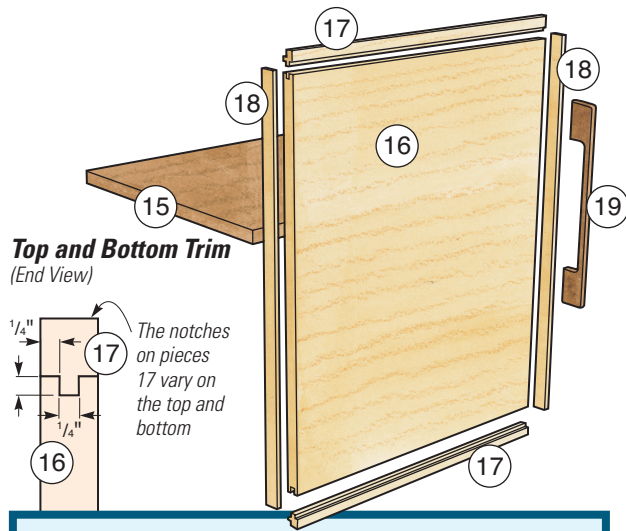
MATERIAL LIST (Cabinet)

	T x W x L
1 Top and Bottom (2)	3/4" x 18" x 63 1/2"
2 Sides (2)	3/4" x 18" x 24 1/2"
3 Vertical Supports (2)	3/4" x 16 1/4" x 23"
4 Back (1)	1/2" x 23 3/4" x 63 1/4"

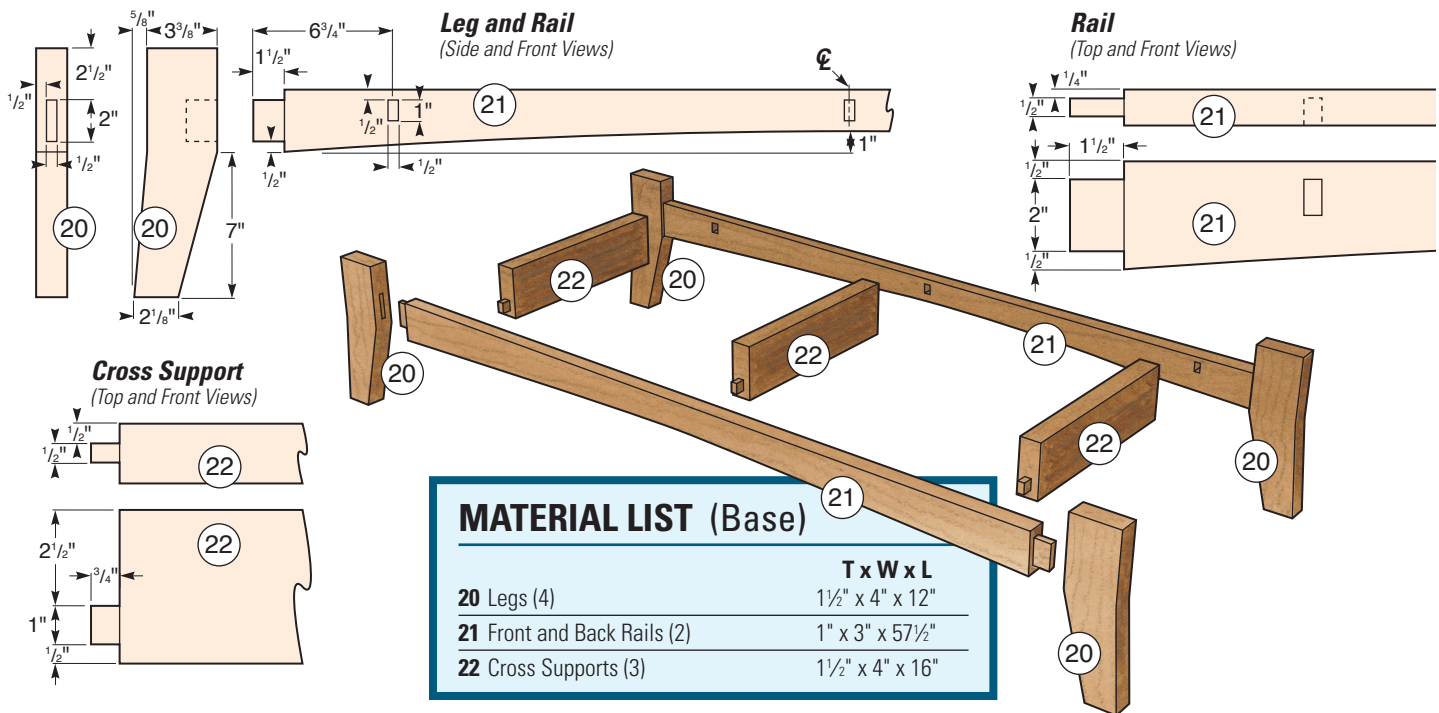
Bottom

(Top View)

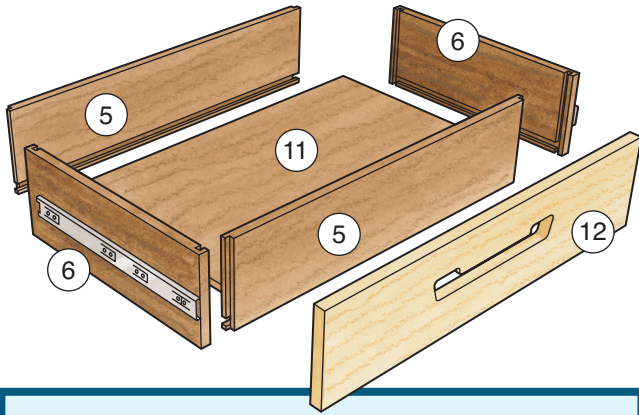




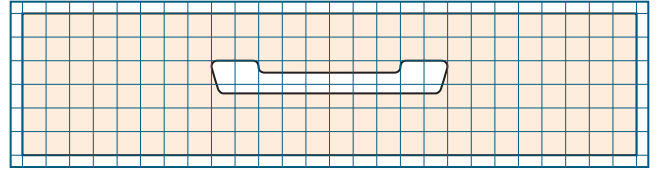
MATERIAL LIST (Doors and Shelves)	
	T x W x L
15 Shelves (4)	3/4" x 16" x 17 3/8"
16 Door Panels (2)	3/4" x 21 1/4" x 18"
17 Door Top and Bottom Trim (4)	3/4" x 1" x 18"
18 Door Side Trim (4)	1/8" x 3/4" x 22 3/4"
19 Door Pulls (2)	3/8" x 1 3/8" x 11 1/4"



MATERIAL LIST (Base)	
	T x W x L
20 Legs (4)	1 1/2" x 4" x 12"
21 Front and Back Rails (2)	1" x 3" x 57 1/2"
22 Cross Supports (3)	1 1/2" x 4" x 16"



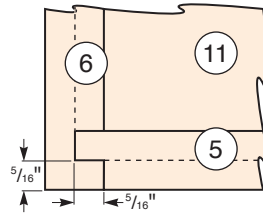
Drawer Pull Template
(Gridded Drawing)



MATERIAL LIST (Drawers)

	T x W x L
5 Top Drawer Front, Back (2)	5/8" x 5 3/4" x 24 3/8"
6 Top Drawer Sides (2)	5/8" x 5 3/4" x 15 1/4"
7 Middle Drawer Front, Back (2)	5/8" x 6 3/4" x 24 3/8"
8 Middle Drawer Sides (2)	5/8" x 6 3/4" x 15 1/4"
9 Bottom Drawer Front, Back (2)	5/8" x 8 3/4" x 24 3/8"
10 Bottom Drawer Sides (2)	5/8" x 8 3/4" x 15 1/4"
11 Drawer Bottoms (3)	1/2" x 14 5/8" x 24 3/8"
12 Top Drawer Face (1)	3/4" x 6" x 26"
13 Middle Drawer Face (1)	3/4" x 7" x 26"
14 Bottom Drawer Face (1)	3/4" x 9" x 26"

Top Drawer
(Top View)



Top Drawer Side
(Inside View)

