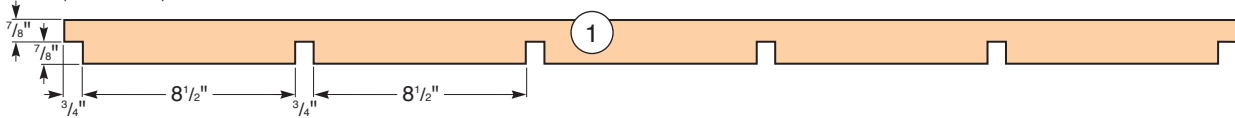


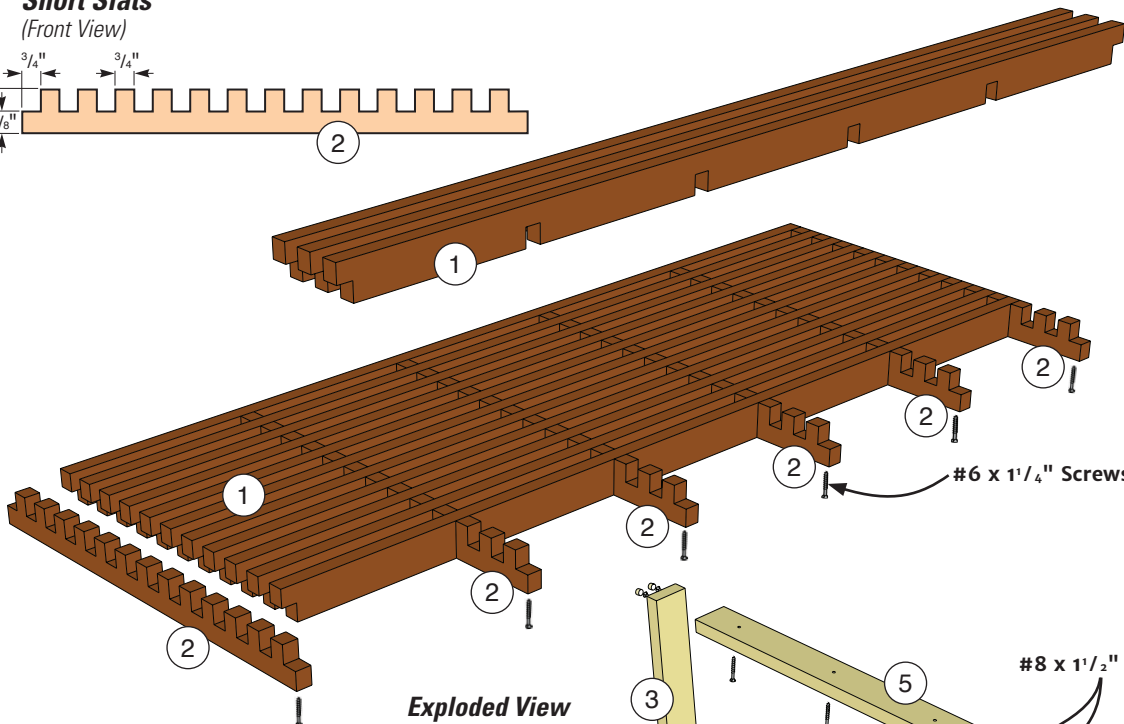
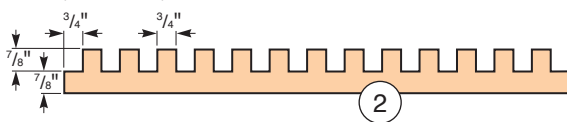
Modern Coffee Table

This coffee table is inspired by the classic mid-century modern George Nelson designed bench. The key to this bench's construction is the cross lap joint, also called a half lap joint. This joint is fast and easy to make using a table saw, dado set and cross lap jig.

Long Slats
(Front View)



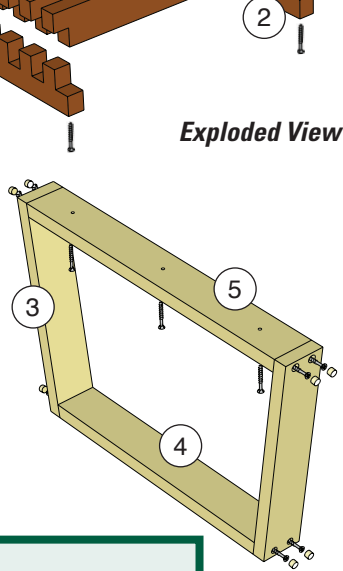
Short Slats
(Front View)



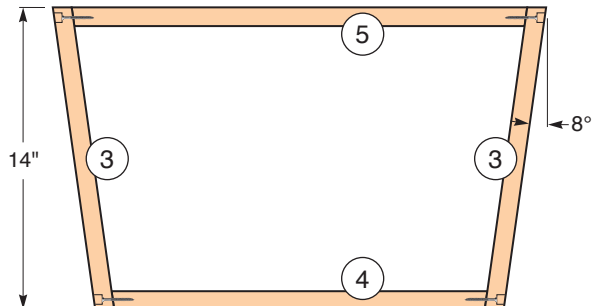
#6 x 1/4" Screws

#8 x 1/2" Screws

Exploded View



Leg Assemble
(Front View)



MATERIAL LIST

	T x W x L
1 Long Slats (14)	3/4" x 1 3/4" x 47"
2 Short Slats (6)	3/4" x 1 3/4" x 20 1/4"
3 Legs (4)	3/4" x 2 1/4" x 12 1/4"
4 Lower Leg Brackets (2)	3/4" x 2 1/4" x 18 1/4"
5 Upper Leg Brackets (2)	3/4" x 2 1/4" x 15 1/8"