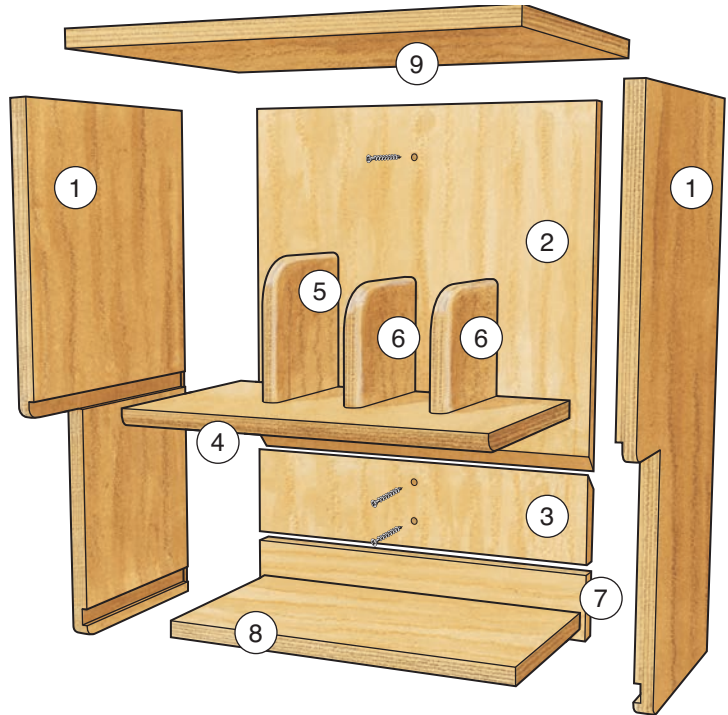
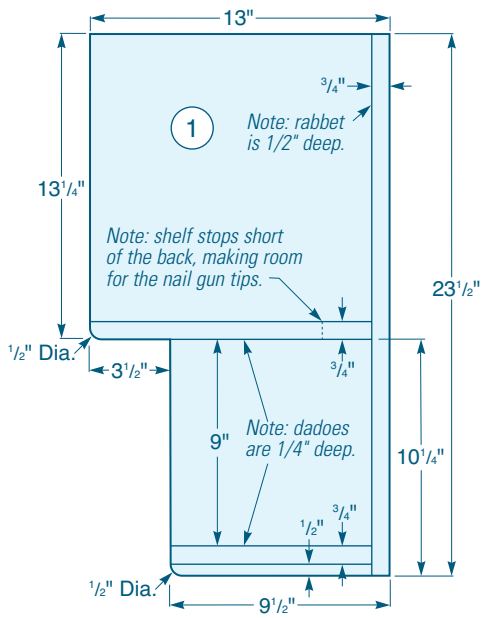


### Side

(Inside View)



## MATERIAL LIST

	<b>T x W x L</b>
<b>1</b> Sides (2)	3/4" x 13" x 23 1/2"
<b>2</b> Back (1)	3/4" x 16 1/4" x 14 3/4"
<b>3</b> French Cleat* (1)	3/4" x 16 1/4" x 5"
<b>4</b> Top Shelf (1)	3/4" x 10" x 15 3/4"
<b>5</b> Tall Divider (1)	3/4" x 6" x 6"
<b>6</b> Short Dividers (2)	3/4" x 6" x 5"
<b>7</b> Bottom Cleat (1)	3/4" x 3" x 16 1/4"
<b>8</b> Bottom Shelf (1)	3/4" x 8 3/4" x 15 3/4"
<b>9</b> Top (1)	3/4" x 14" x 18 3/4"

\* Pieces 2 and 3 are cut from the same blank.