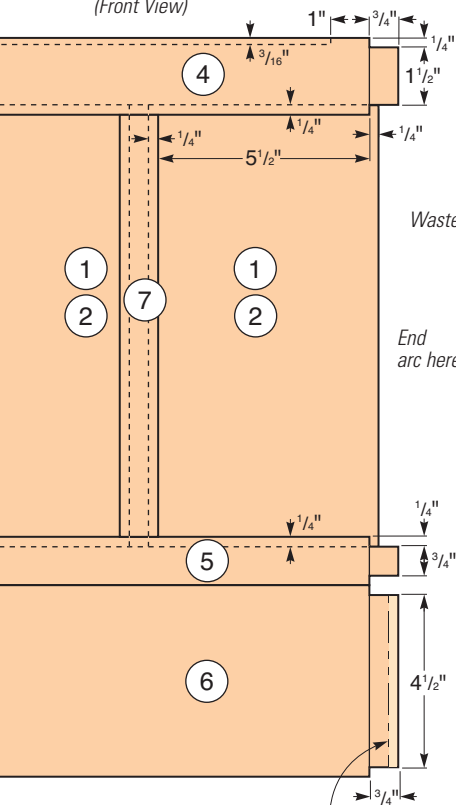


**Exploded View**

**MATERIAL LIST (CHEST)**

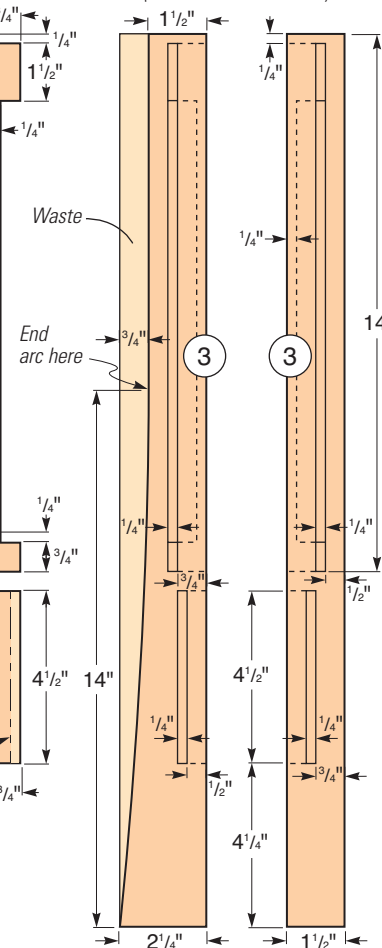
	<b>T x W x L</b>
1 Panel Substrates (18)	1/4" x 6" x 11 1/2"
2 Veneer Sheets (36)	1/16" x 6 1/2" x 12"
3 Legs (4)	1 1/2" x 2 1/4" x 23 1/4"
4 Front and Back Top Rails (2)	3/4" x 2" x 39 1/2"
5 Front and Back Bottom Rails (2)	3/4" x 1 1/4" x 39 1/2"
6 Back Apron (1)	3/4" x 5" x 39"
7 Stiles (14)	3/4" x 1" x 11 1/2"
8 Side Top Rails (2)	3/4" x 2" x 20"
9 Side Bottom Rails (2)	3/4" x 1 1/4" x 20"
10 Side Aprons (2)	3/4" x 5" x 20"
11 Front and Back Cleats (2)	3/4" x 3/4" x 37 1/2"
12 Side Cleats (2)	3/4" x 3/4" x 18 1/2"
13 Bottom Panel (1)	1/2" x 19 1/2" x 39"
14 Drawer Slide Spacers (2)	1/4" x 2" x 18 1/2"
15 Drawer Slides (2)	18" King Slides
16 Continuous Hinge (1)	36", Antique Copper
17 Lid (1)	3/4" x 22 1/4" x 42 1/2"
18 Lid Supports (2)	95 to 125 Inch Pounds
19 Lid Support (1)	30 to 40 Inch Pounds

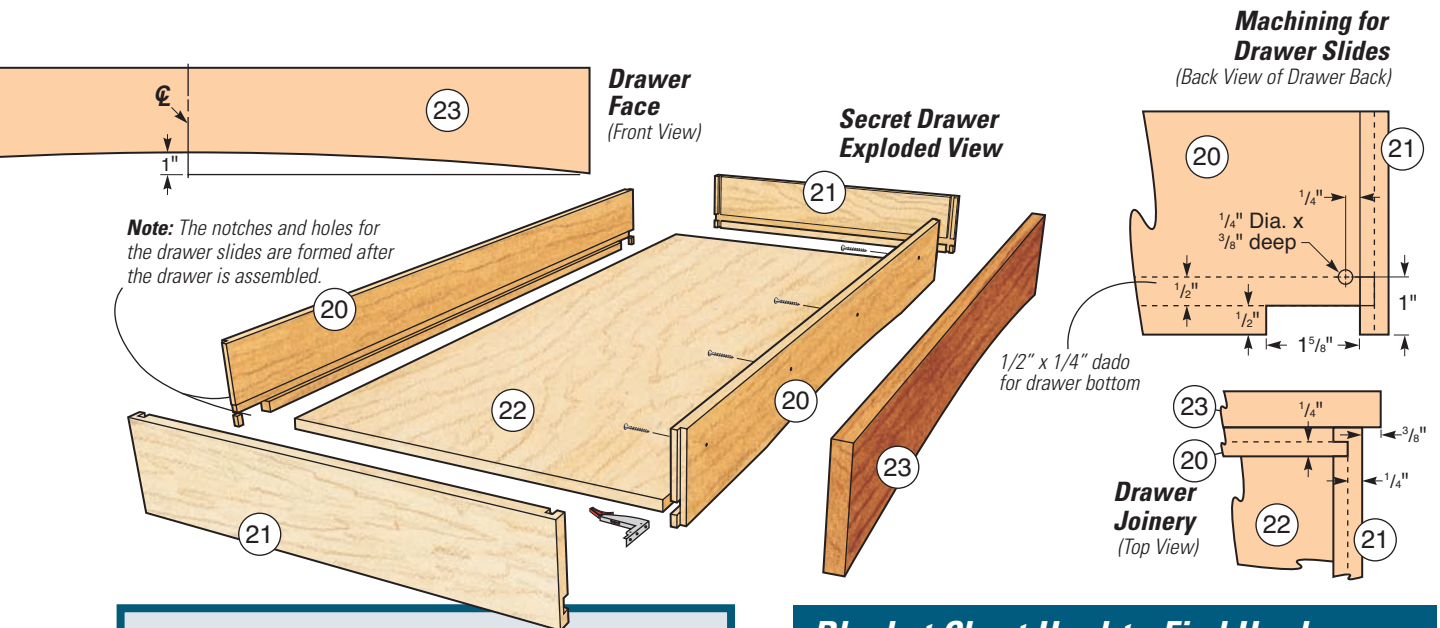
**Back Panel Subassembly**  
(Front View)



The tenons on the back apron are 1/4" shorter than the other aprons. This provides clearance in the mortises.

**Rear Left Leg**  
(Front and Inside Views)





## MATERIAL LIST (SECRET DRAWER)

	T x W x L
20 Drawer Front and Back (2)	1/2" x 3 7/8" x 36 3/4"
21 Drawer Sides (2)	1/2" x 3 7/8" x 17 3/4"
22 Drawer Bottom (1)	1/2" x 17 1/4" x 36 3/4"
23 Drawer Face (1)	3/4" x 5" x 38"

## Blanket Chest Hard-to-Find Hardware

The following supplies are available from Woodworker's Journal.

**Continuous Hinge, Antique Copper (1) #22050 .....\$36.99 ea.**

**Toy Box Lid Support 95-125 Inch Lbs. (2) #26179 ..\$10.29 ea.**

**Toy Box Lid Support 35-40 Inch Lbs. (1) #26153 ....\$10.29 ea.**

**18" King Slide Drawer Slides (1) #45900 .....\$73.99 pr.**

To purchase products online, visit [www.woodworkersjournal.com](http://www.woodworkersjournal.com) and click on the "Store" tab. Or, call 800-610-0883 (code WJ1352).