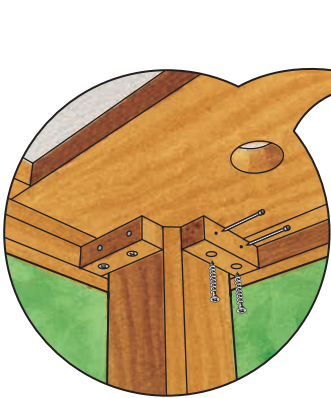
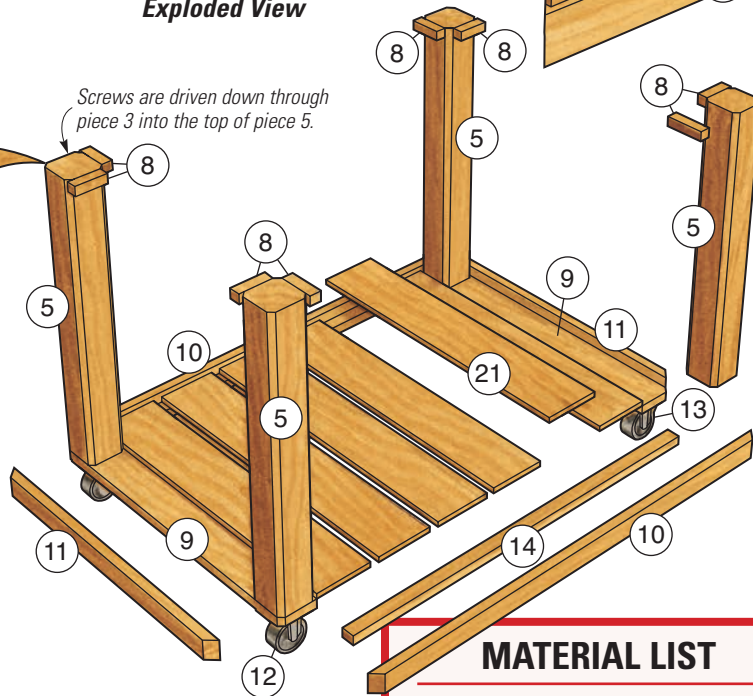


Exploded View

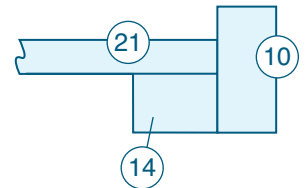


Leg Mounting Detail

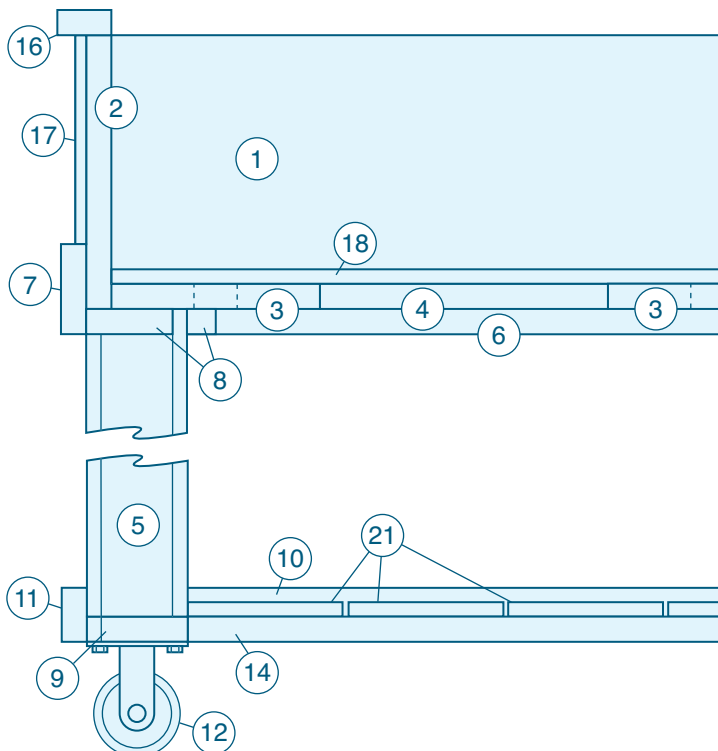
Screws are driven down through piece 3 into the top of piece 5.



Bottom Cleat, Slat and Rail Location (Section View)



Garden Cart (Section View)



MATERIAL LIST

	T x W x L
1 Sides (2)	7/8" x 9 1/2" x 41 3/4"
2 Ends (2)	7/8" x 9 1/2" x 28 1/8"
3 Cross Braces (3)	7/8" x 7 1/4" x 26 3/8"
4 Cleats (4)	7/8" x 1" x 10"
5 Legs (4)	3 1/2" x 3 1/2" x 27"
6 Long Skirts (2)	7/8" x 3 3/8" x 45 1/4"
7 Short Skirts (2)	7/8" x 3 3/8" x 29 5/8"
8 Leg Anchors (8)	7/8" x 1" x 3"
9 Bottom Stretchers (2)	7/8" x 3 1/2" x 28 1/8"
10 Long Base Rails (2)	7/8" x 1 1/8" x 42 3/4"
11 Short Base Rails (2)	7/8" x 1 1/8" x 27 1/4"
12 Casters (2)	Plate (swivel)
13 Casters (2)	Plate (fixed)
14 Bottom Cleats (2)	7/8" x 1 1/4" x 36 1/2"
15 Long Top Trim (2)	7/8" x 1 1/8" x 45 5/8"
16 Short Top Trim (2)	7/8" x 1 1/8" x 30 1/4"
17 Decorative Trim (10)	3/8" x 1 1/8" x 7 1/4"
18 Long Screen Retainers (2)	1/2" x 1" x 39 3/4"
19 Short Screen Retainers (2)	1/2" x 1" x 26 3/8"
20 Hardware Cloth (1)	Cut to fit
21 Slats (6)	1/2" x 5 3/8" x 28 1/8"