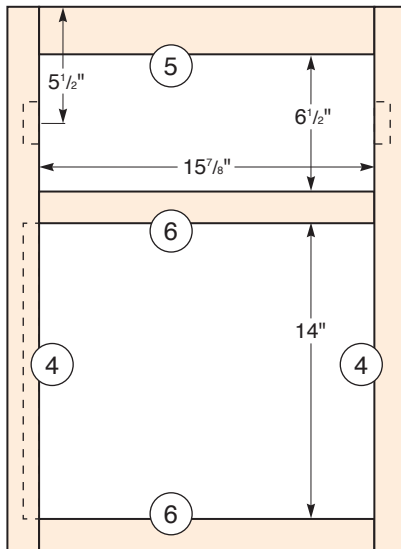
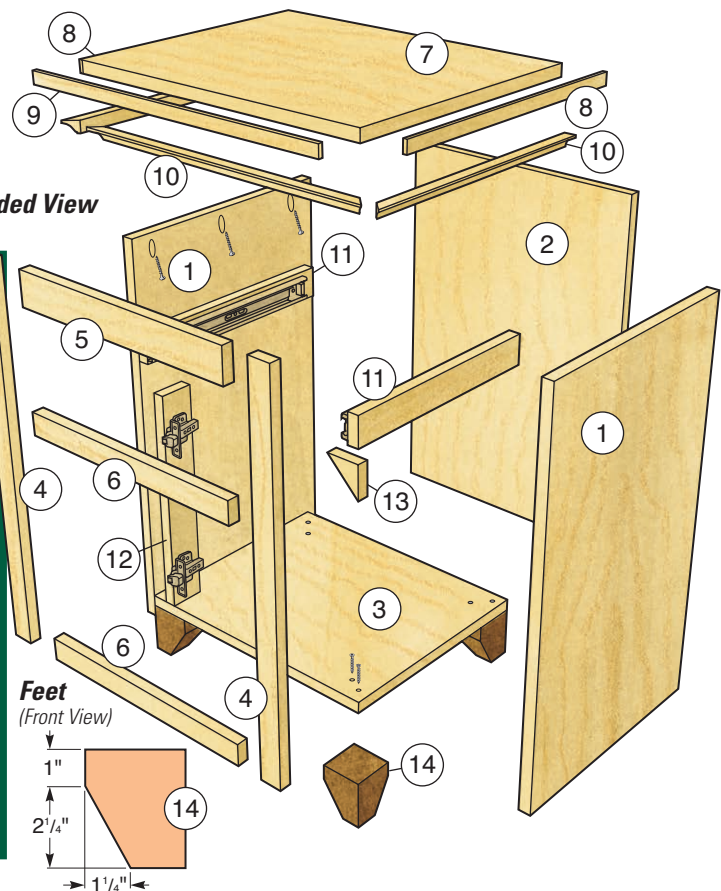


**Face Frame**  
(Front View)



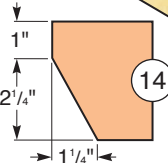
**Case Exploded View**

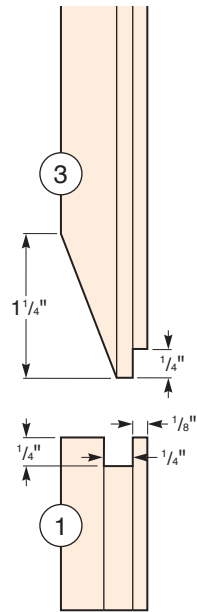


**MATERIAL LIST**

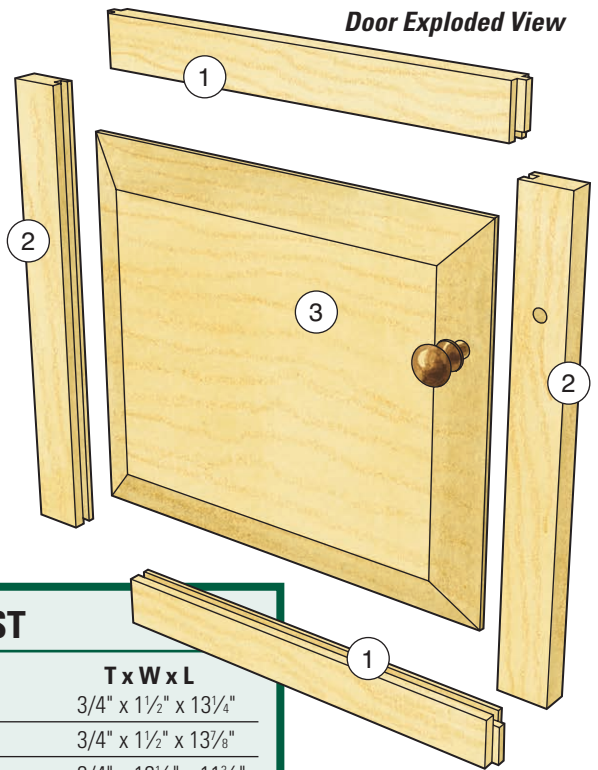
Carcass	T x W x L
1 Sides (2)	3/4" x 15 1/4" x 25 3/4"
2 Back (1)	3/4" x 17 3/8" x 25 3/4"
3 Bottom (1)	3/4" x 14 1/2" x 17 3/8"
4 Face Frame Stiles (2)	3/4" x 1 1/2" x 25 3/4"
5 Wide Face Frame Rail (1)	3/4" x 2 1/4" x 15 7/8"
6 Narrow Face Frame Rails (2)	3/4" x 1 1/2" x 15 7/8"
7 Top (1)	3/4" x 20 1/4" x 16 3/4"
8 Side Trim (2)	1/4" x 3/4" x 16 3/4"
9 Front Trim (1)	1/4" x 3/4" x 20 3/4"
10 Decorative Molding (1)	3/4" x 3/4" x 55"
11 Slide Supports (2)	3/4" x 2" x 14 1/2"
12 Hinge Mounting Plate (1)	3/4" x 2 1/4" x 14"
13 Door Stop (1)	3/4" x 2 1/4" x 2 1/4"
14 Feet (4)	2 3/4" x 2 3/4" x 3 1/4"

**Feet**  
(Front View)



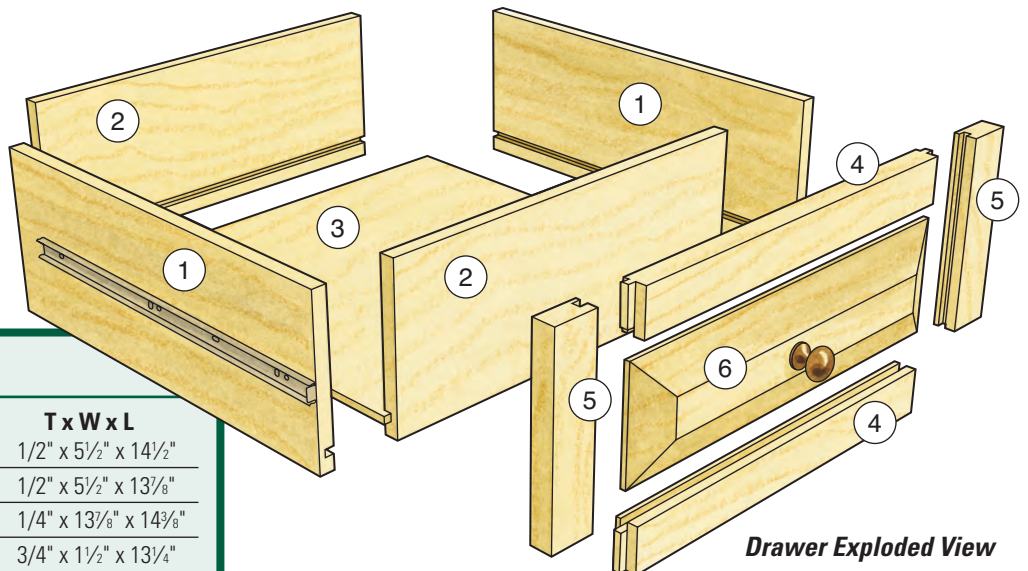


**Rail and Raised Panel Detail**  
(Side and End Views)



### MATERIAL LIST

Door	T x W x L
1 Rails (2)	3/4" x 1 1/2" x 13 1/4"
2 Stiles (2)	3/4" x 1 1/2" x 13 3/8"
3 Raised Panel (1)	3/4" x 13 1/4" x 11 3/8"



### MATERIAL LIST

Drawer	T x W x L
1 Sides (2)	1/2" x 5 1/2" x 14 1/2"
2 Front and Back (2)	1/2" x 5 1/2" x 13 3/8"
3 Bottom (1)	1/4" x 13 3/8" x 14 3/8"
4 Face Rails (2)	3/4" x 1 1/2" x 13 3/4"
5 Face Stiles (2)	3/4" x 1 1/2" x 6 3/8"
6 Raised Panel (1)	3/4" x 3 3/8" x 13 3/4"

**Drawer Exploded View**