

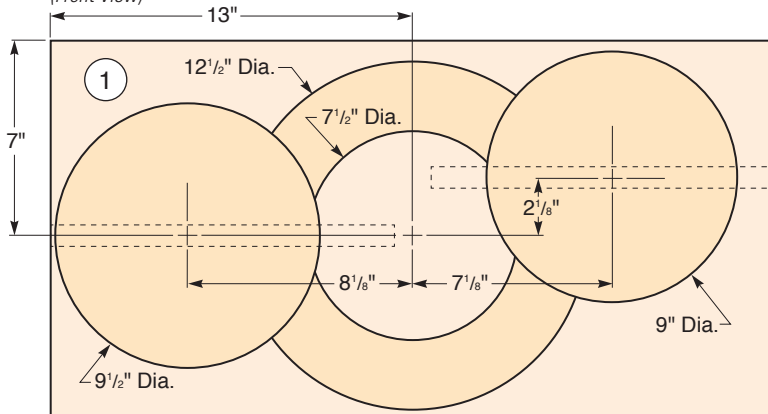
**Exploded Views**

### MATERIAL LIST

	T x W x L
<b>1</b> Back Panel Blank (1)	3/4" x 13 1/2" x 26"
<b>2</b> Floating Circle Blank (1)	3/4" x 7 1/2" x 14 1/2"
<b>3</b> Shelf Blank (1)	3/4" x 5" x 34"
<b>4</b> Mirror (1)	1/8" x 8 1/8" x 8 1/8"
<b>5</b> Mirror Backer (1)	1/8" x 8 1/8" x 8 1/8"
<b>6</b> French Cleat Blank (1)	1/4" x 4 1/4" x 18"
<b>7</b> Dowels (4)	5/16" Dia. x 1 1/8"

### Back Panel Layout

(Front View)



### Mirror Recess

A 1/4"-deep recess routed in the back of the center circle houses the mirror and its backer board.

