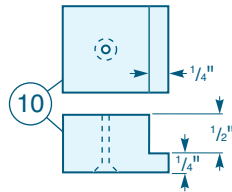
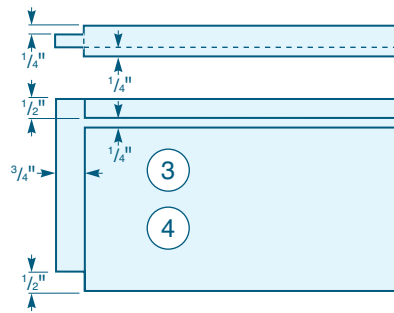


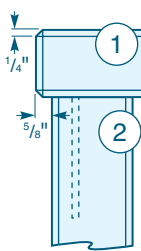
**Tabletop Fasteners**  
(Top and Side Views)



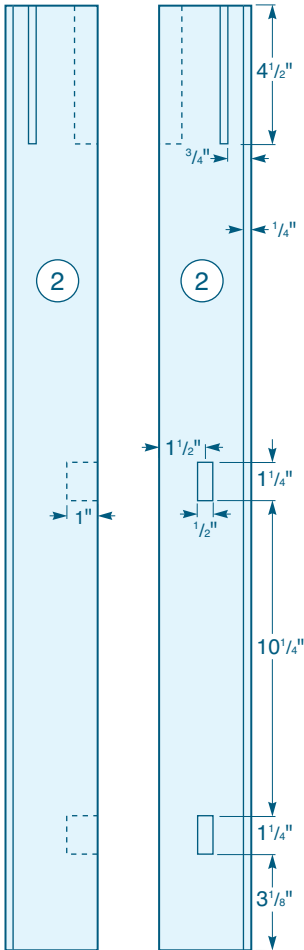
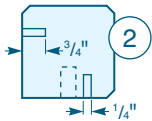
**Side and Back Aprons**  
(Top and Inside Views)



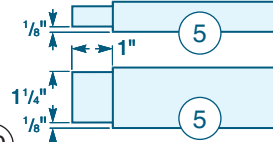
**Top and Leg**  
(Front View)



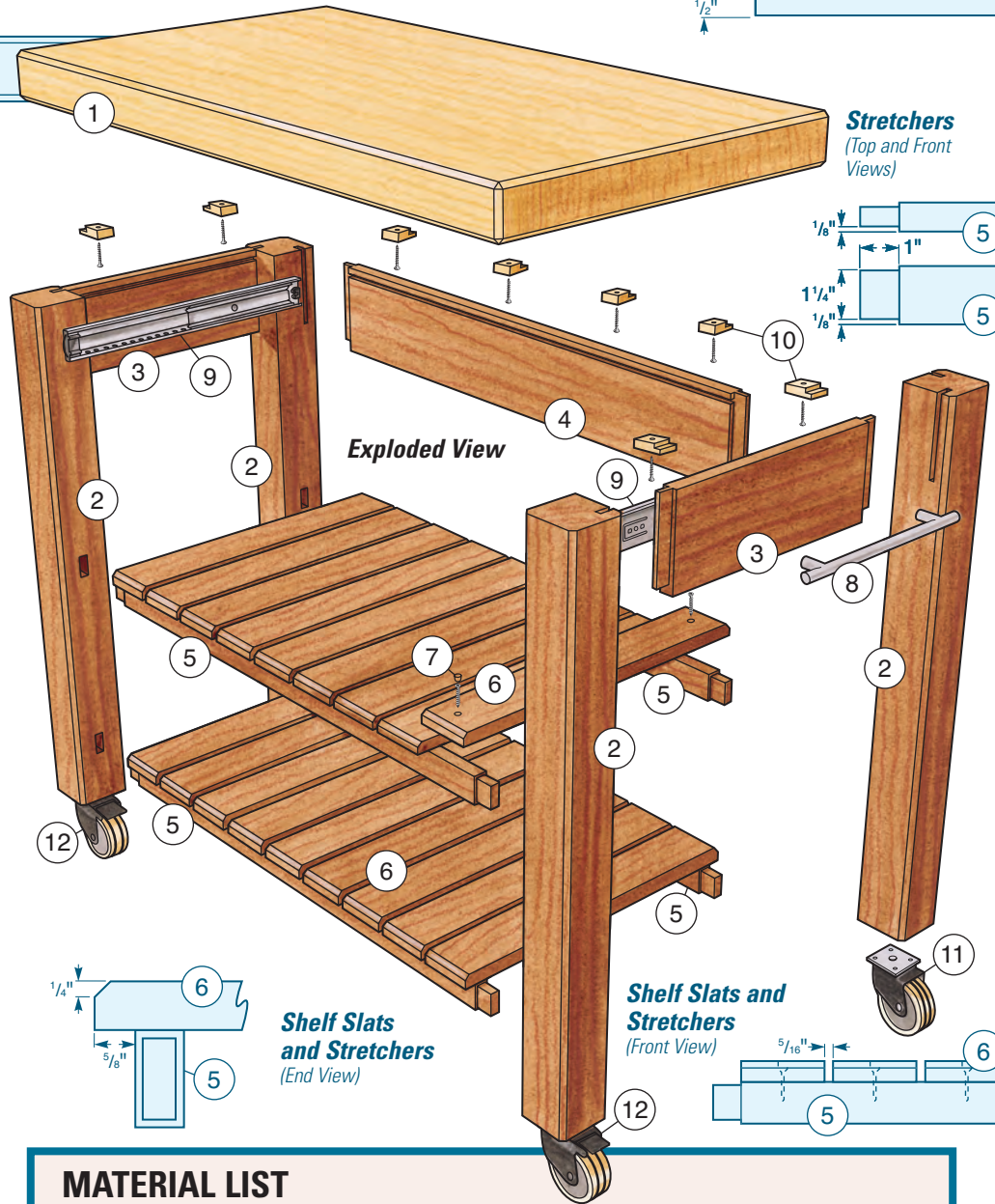
**Rear Legs**  
(Top, Front and Inside Views)



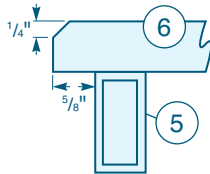
**Stretchers**  
(Top and Front Views)



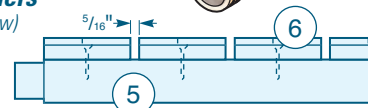
**Exploded View**



**Shelf Slats and Stretchers**  
(End View)



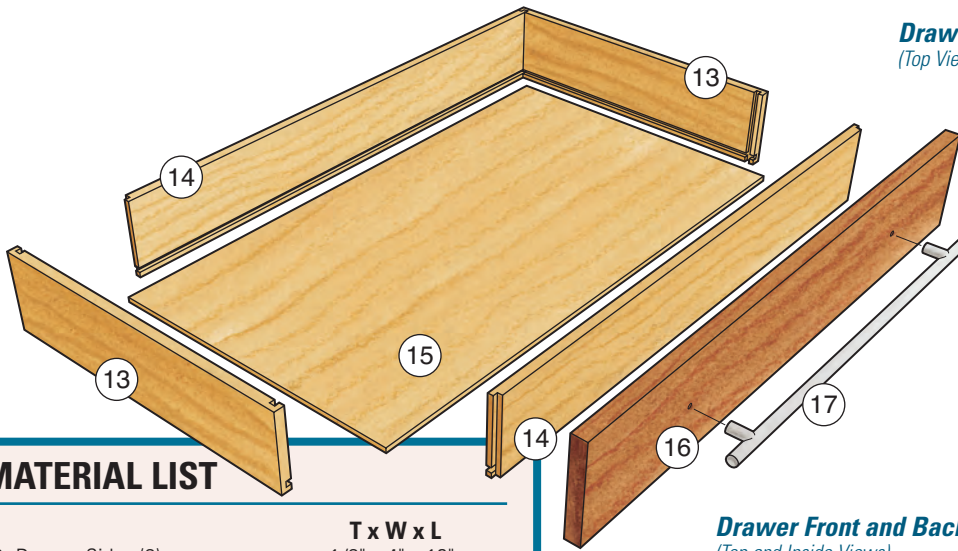
**Shelf Slats and Stretchers**  
(Front View)



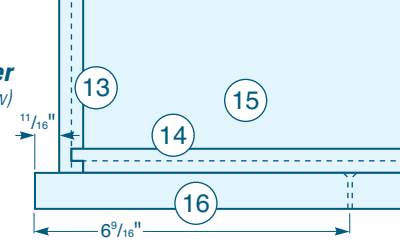
**MATERIAL LIST**

	<b>T x W x L</b>		<b>T x W x L</b>
<b>1</b> Top (1)	2 1/2" x 20" x 36 3/4"	<b>7</b> Wood Plugs (36)	3/8" Dia. tapered
<b>2</b> Legs (4)	3" x 3" x 30 3/4"	<b>8</b> Side Handles (2)	250mm
<b>3</b> Side Aprons (2)	3/4" x 5" x 14 1/4"	<b>9</b> Drawer Slides (2)	16" Full-extension
<b>4</b> Back Apron (1)	3/4" x 5" x 31"	<b>10</b> Tabletop Fasteners (8)	3/4" x 1 1/8" x 1 3/8"
<b>5</b> Stretchers (4)	3/4" x 1 1/2" x 31 1/2"	<b>11</b> Casters (2)	Non-locking
<b>6</b> Shelf Slats (18)	3/4" x 3" x 17 3/4"	<b>12</b> Casters (2)	Locking

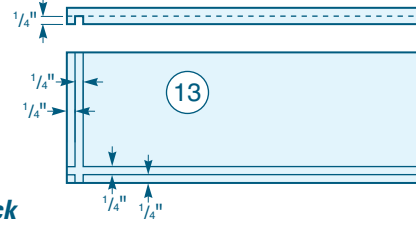
**Note:** The front legs do not have a mortise on their inside faces for an apron, but are otherwise identical to the back legs.



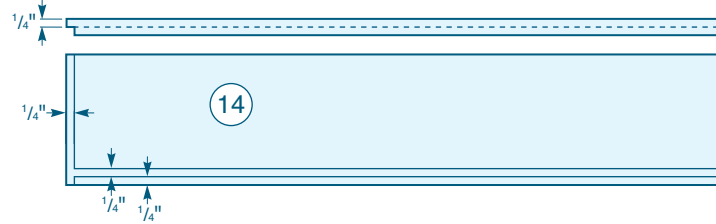
**Drawer**  
(Top View)



**Drawer Side**  
(Top and Inside Views)



**Drawer Front and Back**  
(Top and Inside Views)



## MATERIAL LIST

	T x W x L
<b>13</b> Drawer Sides (2)	1/2" x 4" x 16"
<b>14</b> Drawer Front and Back (2)	1/2" x 4" x 27 1/2"
<b>15</b> Drawer Bottom (1)	1/4" x 15 1/2" x 27 1/2"
<b>16</b> Drawer Face (1)	3/4" x 5" x 29 7/16"
<b>17</b> Drawer Handle (1)	496mm