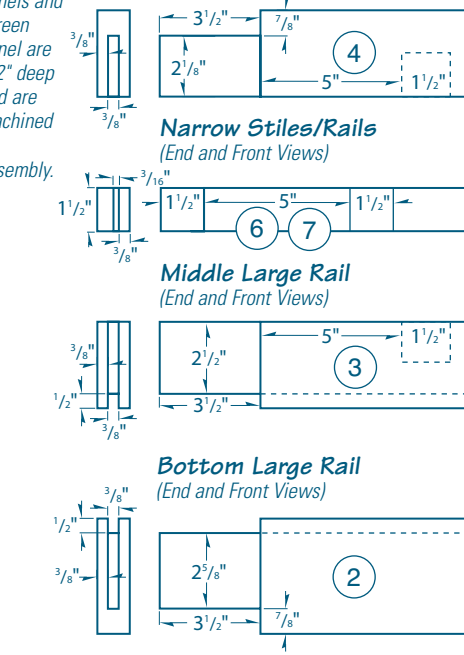


Rabbets for the art glass panels and screen panel are 1/2" deep and are machined

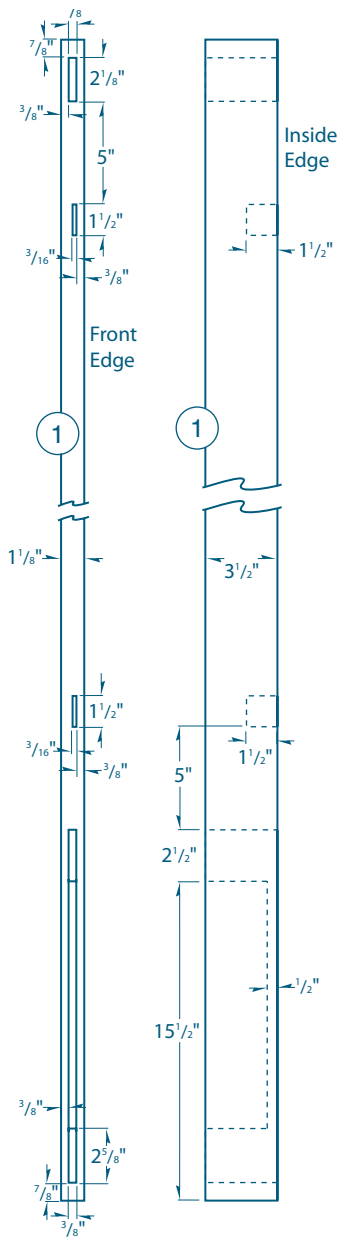
assembly.



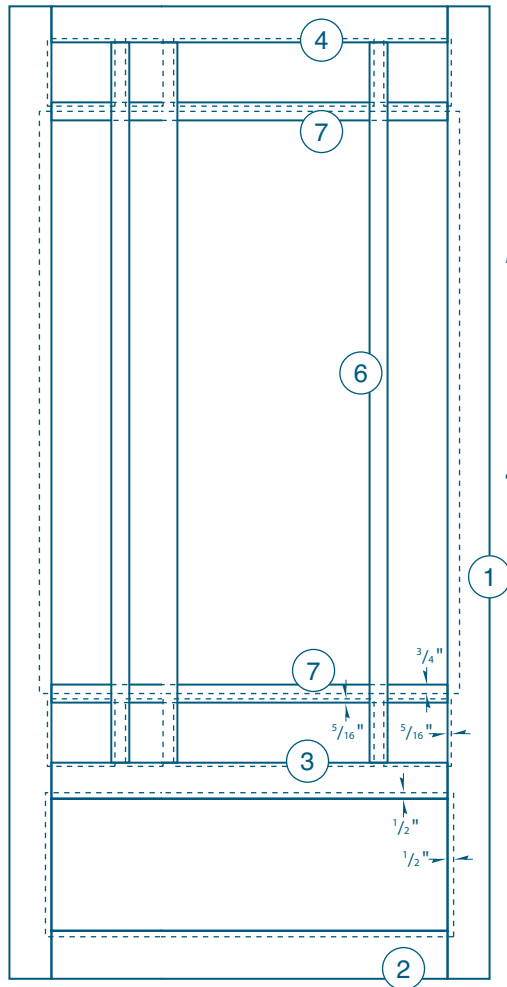
MATERIAL LIST

	T x W x L
1 Large Door Stiles (2)	1 1/8" x 3 1/2" x 81"
2 Bottom Large Rail (1)	1 1/8" x 4" x 36"
3 Middle Large Rail (1)	1 1/8" x 3" x 36"
4 Top Large Rail (1)	1 1/8" x 3" x 36"
5 Raised Panel (1)	1 1/8" x 11 1/2" x 29 3/4"
6 Narrow Stiles (2)	1 1/8" x 1 1/2" x 63"
7 Narrow Rails (2)	1 1/8" x 1 1/2" x 32"
8 Screen Outer Stiles (2)	1/2" x 1" x 48 3/8"
9 Screen Inner Stiles (2)	1/2" x 1 1/2" x 48 3/8"
10 Screen Rails (2)	1/2" x 3/4" x 30 3/4"
11 Lockset (1)	Oil Rubbed Bronze
12 Threaded Inserts (4)	Brass 1/4"-20
13 Brass Knurled Knobs (4)	Brass 1/4"-20
14 Screen (1)	36" x 50"
15 Retaining Cord (1)	144"
16 Small Art Glass (4)	Sized to Fit
17 Large Art Glass (2)	Sized to Fit
18 Glass Retainer Strip (1)	3/8" x 5/16" x 124"

Large Door Stiles
(Inside and Front Views)



Rabbet Locations
(Front View)



Note:
after

Rabbet Detail
(Front View)

