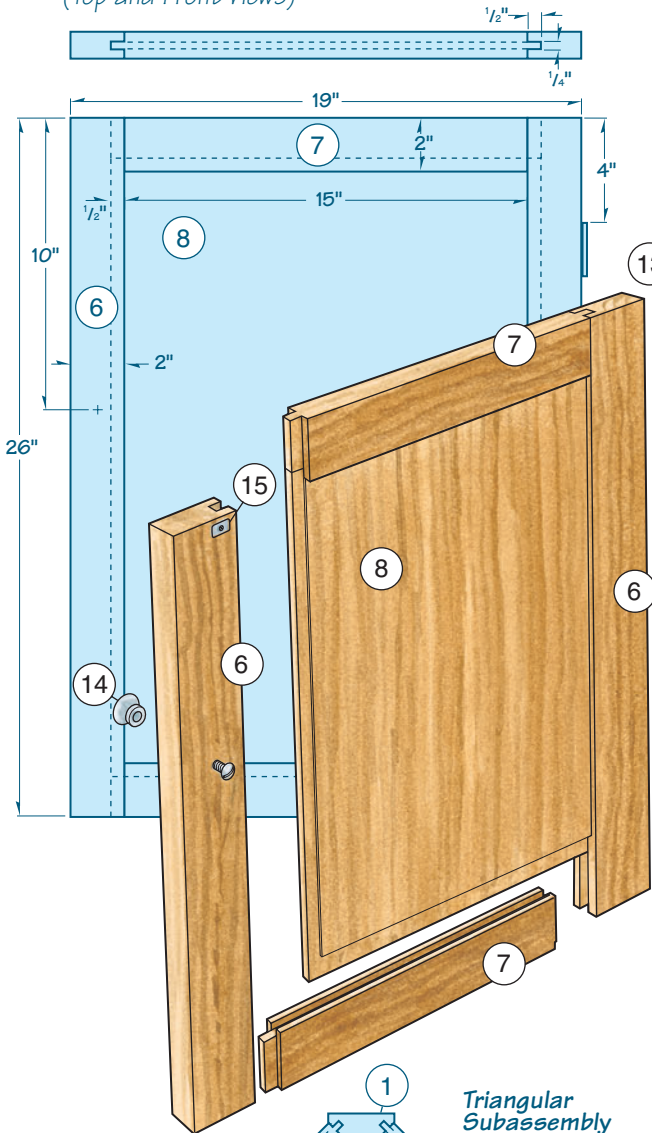
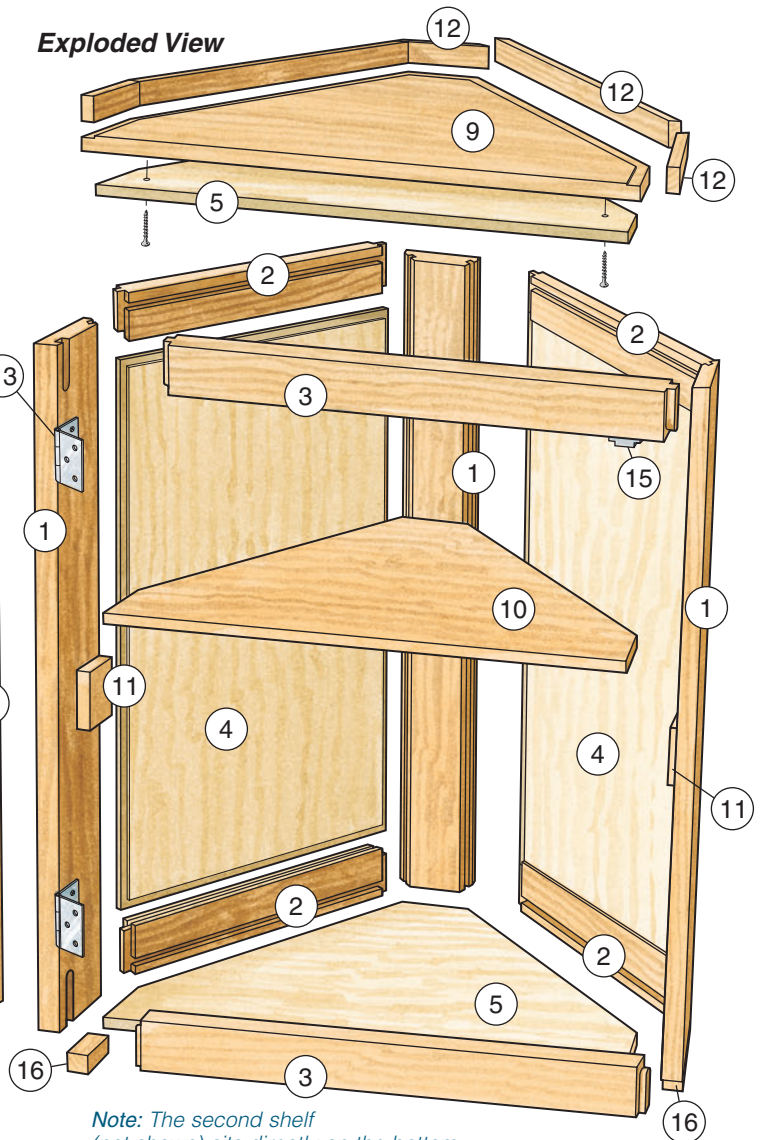


**Door**  
(Top and Front Views)

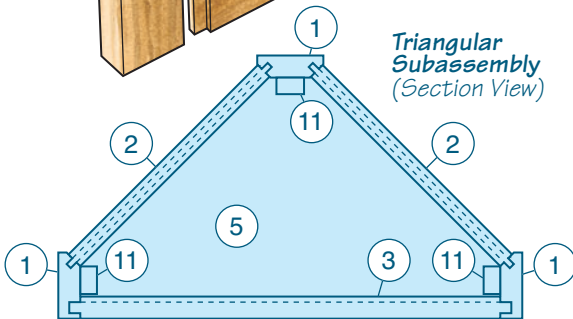


**Exploded View**



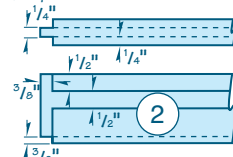
*Note: The second shelf (not shown) sits directly on the bottom.*

**Triangular Subassembly**  
(Section View)

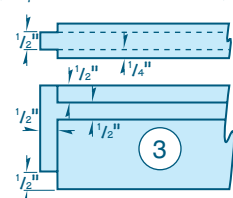


*Note: The top and bottom sets of rails shown at right are mirror images of each other.*

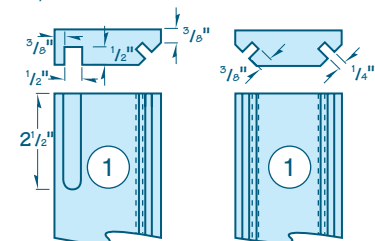
**Frame Side Rails**  
(Top and Inside Views)



**Front Rails**  
(Top and Inside Views)



**Frame Stiles**  
(Top and Inside Views)



**MATERIAL LIST**

	<b>T x W x L</b>
1 Frame Stiles (3)	1" x 3" x 30"
2 Frame Side Rails (4)	3/4" x 2" x 12 <sup>3</sup> / <sub>4</sub> "
3 Front Rails (2)	1" x 3" x 20"
4 Side Panels (2)	1/2" x 12 <sup>3</sup> / <sub>4</sub> " x 26 <sup>3</sup> / <sub>4</sub> "
5 Bottom and Sub-top (2)	1/2" x 10 <sup>15</sup> / <sub>16</sub> " x 19"
6 Door Stiles (2)	1" x 2" x 26"
7 Door Rails (2)	1" x 2" x 16"
8 Door Panel (1)	3/8" x 16" x 23"
9 Top (1)	5/8" x 11 <sup>7</sup> / <sub>8</sub> " x 21"
10 Shelves (2)	5/8" x 9 <sup>15</sup> / <sub>16</sub> " x 19"
11 Shelf Supports (3)	5/8" x 1 <sup>1</sup> / <sub>4</sub> " x 3"
12 Backstop (5)	3/8" x 1" x Cut to fit
13 Hinges (1 pair)	Stainless Steel
14 Knob (1)	Stainless Steel
15 Magnetic Catch (1)	Low Profile
16 Feet (3)	1" x 1" x 2 <sup>1</sup> / <sub>2</sub> "