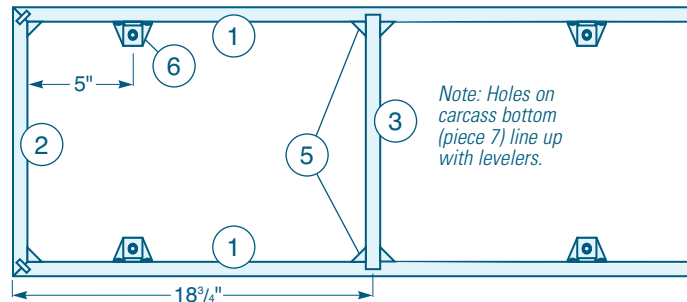


MATERIAL LIST

	T x W x L
1 Plinth Front and Back (2)	3/4" x 5" x 59"
2 Plinth Ends (2)	3/4" x 5" x 14"
3 Plinth Crossmembers (2)	3/4" x 5" x 13 1/4"
4 Splines (4)	1/4" x 3/4" x 5"
5 Corner Glue Blocks (12)	3/4" x 3/4" x 5"
6 Heavy-duty Lifting Levelers (6)	Adjustable
7 Carcass Bottom (1)	3/4" x 16 7/8" x 62 1/2"
8 Carcass Ends (2)	3/4" x 16 7/8" x 16 7/8"
9 Carcass Vertical Dividers (2)	3/4" x 16 7/8" x 15 3/8"
10 Carcass Rear Stringer (1)	3/4" x 4" x 62 1/2"
11 Carcass Drawer-Box Tops (2)	3/4" x 16 7/8" x 10 1/2"
12 Carcass Front Trim (1)	1/4" x 1" x 167"
13 Carcass Biscuits (32)	Size #20
14 Drawer Slides (5 pr)	16" Accuride
15 Heavy-duty Drawer Slides (1 pr)	16" Accuride

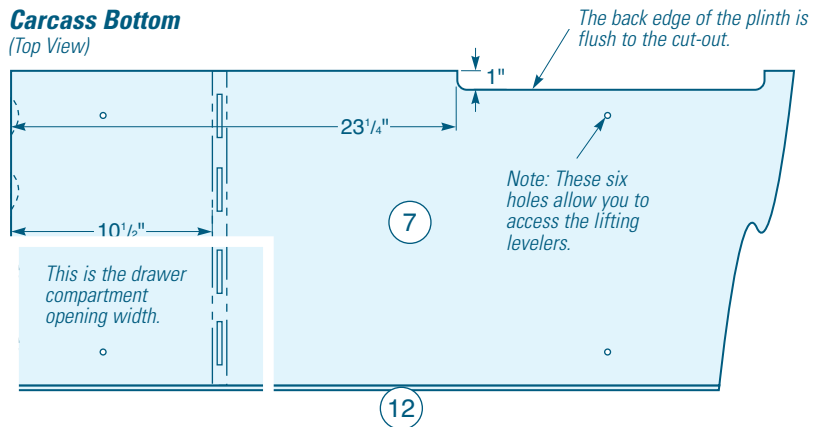
Plinth Subassembly

(Top View)



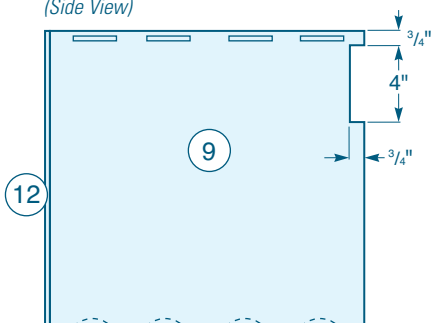
Carcass Bottom

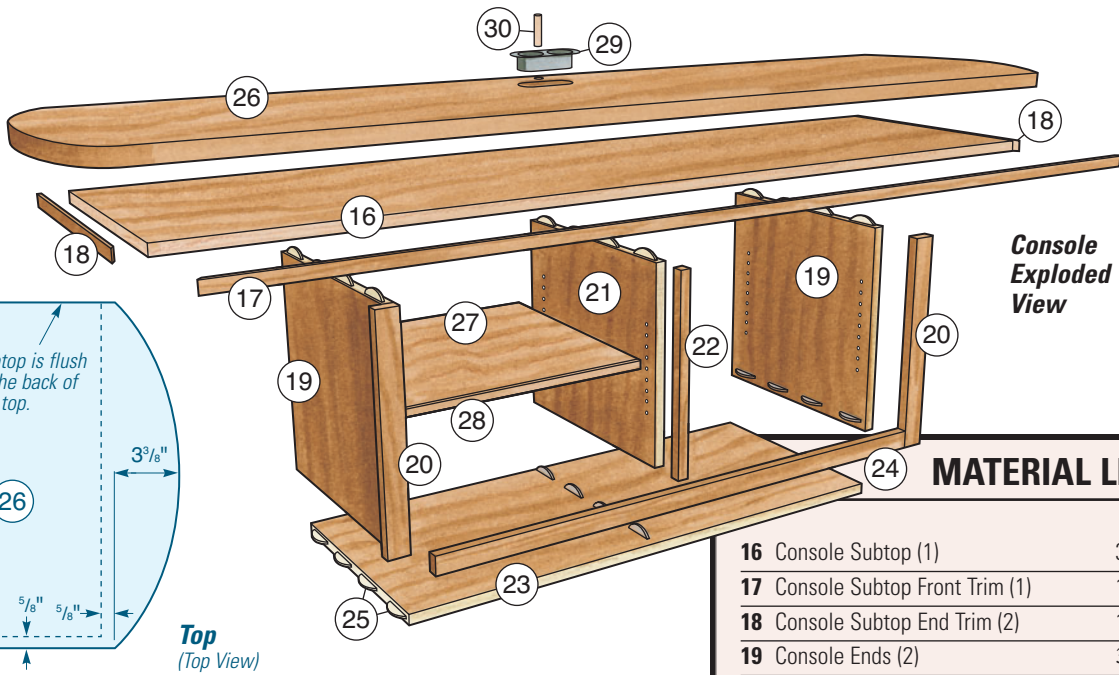
(Top View)



Carcass Vertical Dividers

(Side View)





Console Exploded View

Subtop is flush to the back of the top.

26

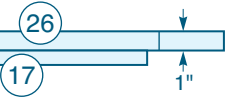
3³/₈"

5⁷/₈" 5⁷/₈"

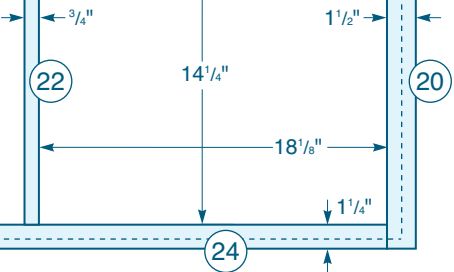
Top (Top View)

MATERIAL LIST CONSOLE

	T x W x L
16 Console Subtop (1)	3/4" x 17 1/4" x 63 1/2"
17 Console Subtop Front Trim (1)	1/4" x 1" x 65"
18 Console Subtop End Trim (2)	1/4" x 1" x 20"
19 Console Ends (2)	3/4" x 15-3/4" x 15"
20 Console Ends Face Frame (2)	3/4" x 1 1/2" x 15 1/2"
21 Console Center Divider (1)	3/4" x 15 3/4" x 14 1/4"
22 Console Center Divider Face Frame (1)	3/4" x 3/4" x 14 1/4"
23 Console Bottom (1)	3/4" x 15 3/4" x 37"
24 Console Bottom Face Frame (1)	3/4" x 1 1/4" x 37"
25 Console Biscuits (24)	Size #20
26 Top (1)	1" x 18" x 72"
27 Console Shelves (4)	3/4" x 15" x 18 1/8"
28 Shelf Front Trim (1)	1/4" x 1" x 80"
29 Grommet (1)	2 3/4" plastic
30 Locking Pin (1)	3/8" Dia. x 2 3/4"

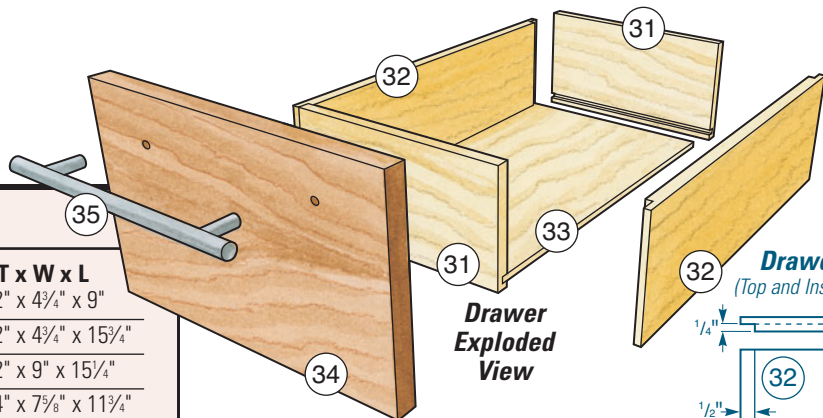


Console Faceframe Subassembly (Front View)



MATERIAL LIST DRAWERS

	T x W x L
31 Drawer Fronts and Backs (8)	1/2" x 4 3/4" x 9"
32 Drawer Sides (8)	1/2" x 4 3/4" x 15 3/4"
33 Drawer Bottoms (4)	1/2" x 9" x 15 3/4"
34 Drawer Faces (4)	3/4" x 7 7/8" x 11 3/4"
35 Drawer Pulls (4)	Aluminum



Drawer Exploded View

Drawer Sides (Top and Inside Views)

