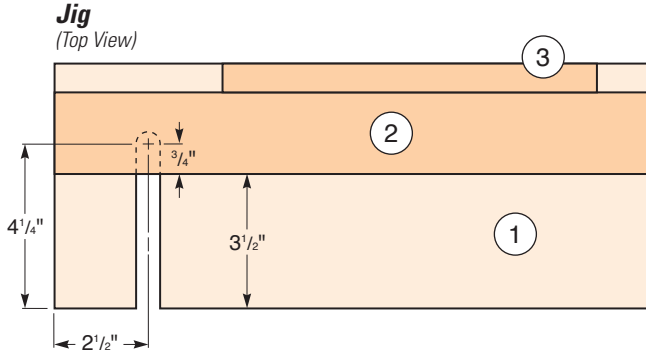
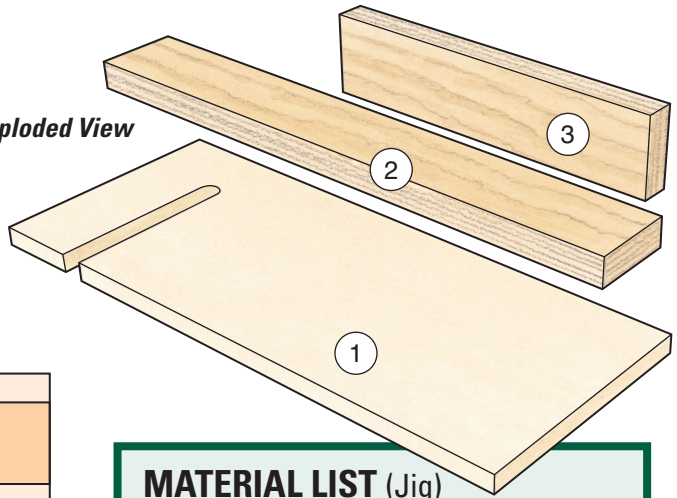


Jig Exploded View



MATERIAL LIST (Jig)

	T x W x L
1 Base (1)	1/2" x 6 3/8" x 15 1/2"
2 Fence (1)	3/4" x 2 1/8" x 15 1/2"
3 Miter Gauge Attachment (1)	3/4" x 2 1/8" x 9 1/4"