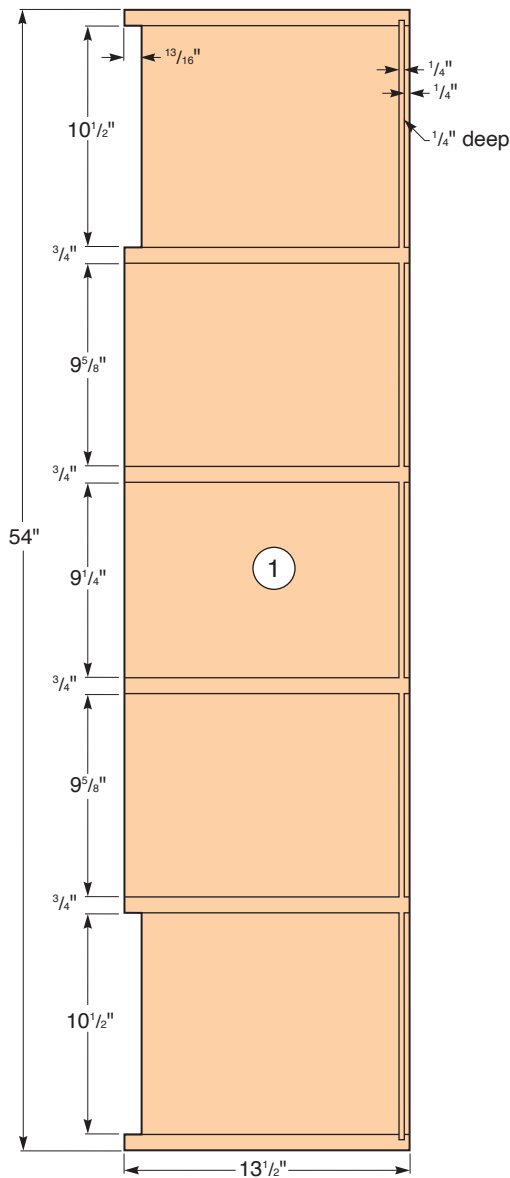
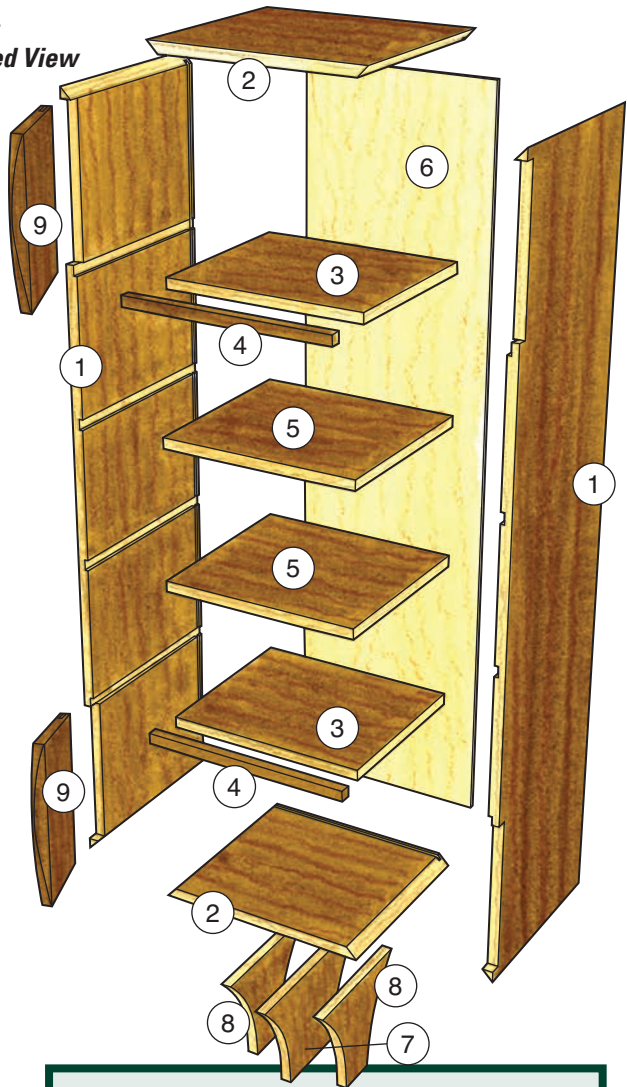


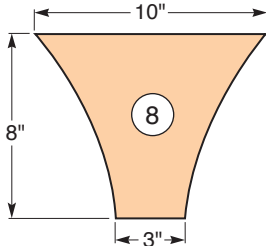
**Side**  
(Inside View)



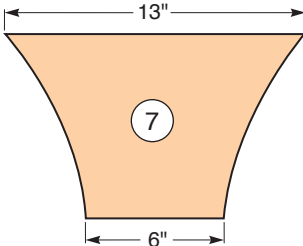
**Cabinet Exploded View**



**Outer Legs**  
(Side View)



**Center Leg**  
(Side View)



**MATERIAL LIST**

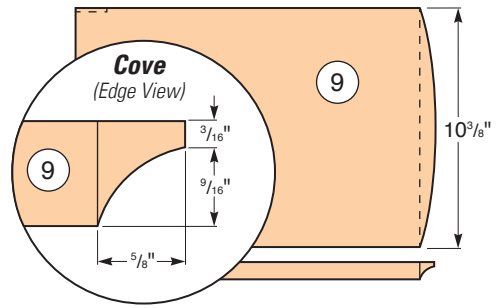
| Cabinet                           | T x W x L                |
|-----------------------------------|--------------------------|
| 1 Sides (2)                       | 3/4" x 13 1/2" x 54"     |
| 2 Top and Bottom (2)              | 3/4" x 13 1/2" x 15"     |
| 3 Top and Bottom Dividers (2)     | 3/4" x 12 1/4" x 14"     |
| 4 Top and Bottom Divider Trim (2) | 3/4" x 3/4" x 15"        |
| 5 Middle Dividers (2)             | 3/4" x 13" x 14"         |
| 6 Back Panel (1)                  | 1/2" x 14" x 53"         |
| 7 Center Leg (1)                  | 3/4" x 13" x 8"          |
| 8 Outer Legs (2)                  | 3/4" x 10" x 8"          |
| 9 Doors (2)                       | 3/4" x 10 3/8" x 15 5/8" |

**Tall Dresser Hard-to-Find Hardware**

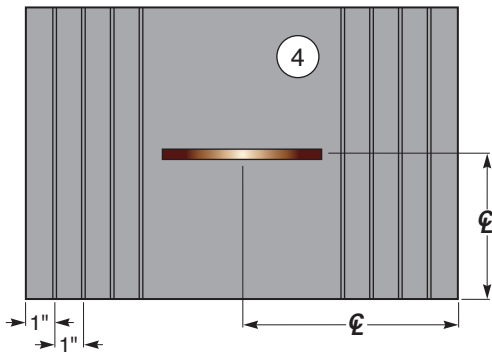
**Solid Brass Precision Knife Hinges 1 7/8" Long x 3/8" W (2) #26252 ... \$64.99 pr.**  
**12" Rockler Soft-Close Undermount Drawer Slides (3) #69904 ..... \$29.99 ea.**  
**Oil Rubbed Bronze Somerset Pull 4 7/8" (3) #44936 ..... \$4.61 ea.**

To purchase these and other products online,  
 visit [www.woodworkersjournal.com/hardware](http://www.woodworkersjournal.com/hardware)  
 Or, call 800-610-0883 (code WJ1577).

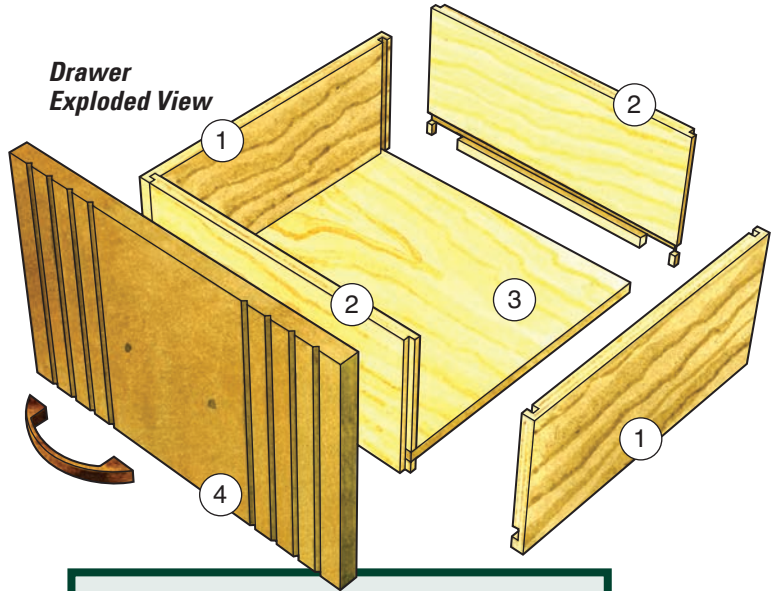
**Door**  
(Front View)



**Drawer Face**  
(Front View)



**Drawer**  
**Exploded View**



## MATERIAL LIST

| Drawers                | T x W x L                |
|------------------------|--------------------------|
| 1 Sides (6)            | 1/2" x 6" x 11 7/8"      |
| 2 Fronts and Backs (6) | 1/2" x 6" x 12 3/8"      |
| 3 Bottoms (3)          | 1/2" x 11 3/8" x 12 3/8" |
| 4 Drawer Faces (3)     | 3/4" x 15" x 10 1/8"     |