

Platform Base
(Top View)

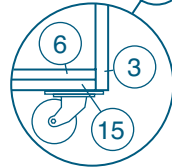
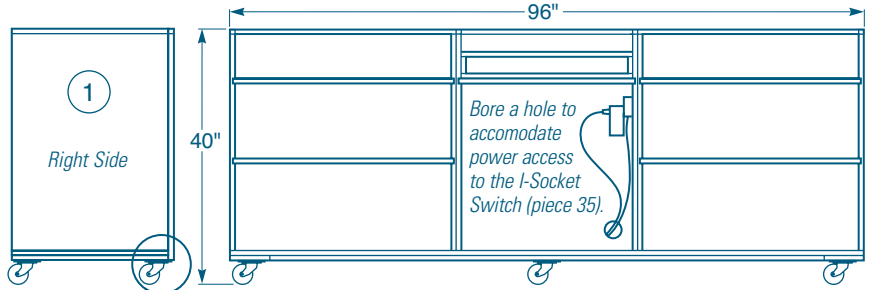
Top Panel — Short
(Top View)

MATERIAL LIST

	T x W x L		T x W x L
1 Sides/Divider Panels (6)	3/4" x 23 3/4" x 32 3/4"	19 Door Stiles (4)	3/4" x 2" x 25 1/2"
2 Top Panels — Long (2)	3/4" x 23 3/4" x 33 1/2"	20 Door Rails (4)	3/4" x 2" x 10 1/4"
3 Back (1)	3/4" x 34 1/4" x 94 1/2"	21 Door Panels (2)	1/4" x 10 3/16" x 22 3/16"
4 Edging (1)	3/4" x 3/4" x 260 1/2"	22 Hinges (4)	1/2" Overlay Euro-style
5 Fixed Shelves (4)	3/4" x 23 3/4" x 33 1/2"	23 Door Pulls (2)	4" Wire
6 Bottom (1)	3/4" x 23 3/4" x 96"	24 Platform Base (1)	3/4" x 17 1/4" x 26"
7 Top Panel — Short (1)	3/4" x 23 3/4" x 26 3/4"	25 Platform Top (1)	3/4" x 13 1/4" x 26"
8 Dust Chamber Wall (1)	3/4" x 6 3/4" x 32 3/4"	26 Platform Back (1)	3/4" x 2 1/2" x 24 1/2"
9 Face Frame Long Rails (2)	3/4" x 1 1/2" x 93"	27 Platform Sides (2)	3/4" x 2 1/2" x 13 1/4"
10 Face Frame Short Rails (4)	3/4" x 1 1/2" x 32"	28 Platform Edging (1)	1/4" x 3/4" x 57"
11 Face Frame End Stiles (2)	3/4" x 1 1/2" x 35"	29 Hanger Bolt Backer (1)	3/4" x 6" x 26"
12 Face Frame Center Stiles — Short (2)	3/4" x 1 1/2" x 7 1/2"	30 Hanger Bolts, Washers (2)	5/16" Dia. x 3"
13 Face Frame Center Stiles — Long (2)	3/4" x 1 1/2" x 24 1/2"	31 Knobs (2)	T-style
14 Long Bottom Cleats (2)	3/4" x 6" x 84"	32 Fences (2)	3/4" x 2 1/4" x 35"
15 Short Bottom Cleats (2)	3/4" x 6" x 23 3/4"	33 Fence Brackets (2)	3/4" Aluminum Angle
16 Casters (2 locking, 4 swivel)	4" Dia.	34 Tracks (2) and Flip Stop (1)	Kreg Fence System
17 Side Skirt Boards (2)	3/4" x 1 1/2" x 26"	35 i-Socket Switch (1)	Electrical Outlet
18 Back Skirt Board (1)	3/4" x 1 1/2" x 96"	36 Dust Port (1)	4" Plastic

Carcass

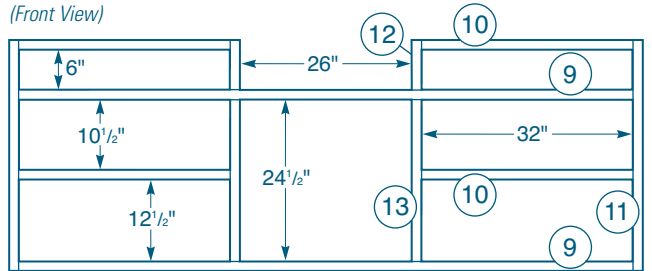
(Side and Front Views)



Note: The back panel is flush to the lower edge of the bottom cleat. The skirts are applied after assembly.

Face Frame

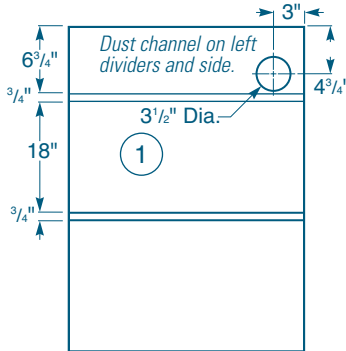
(Front View)



Sides/Divider Panels

(Inside View)

The dust chamber wall (piece 8) is located 5/8" from the back edge of the side panel. The 3/4" holes for the dust channel are bored at both ends of the channel.



Door Stiles and Rails

(Top and Front Views)

