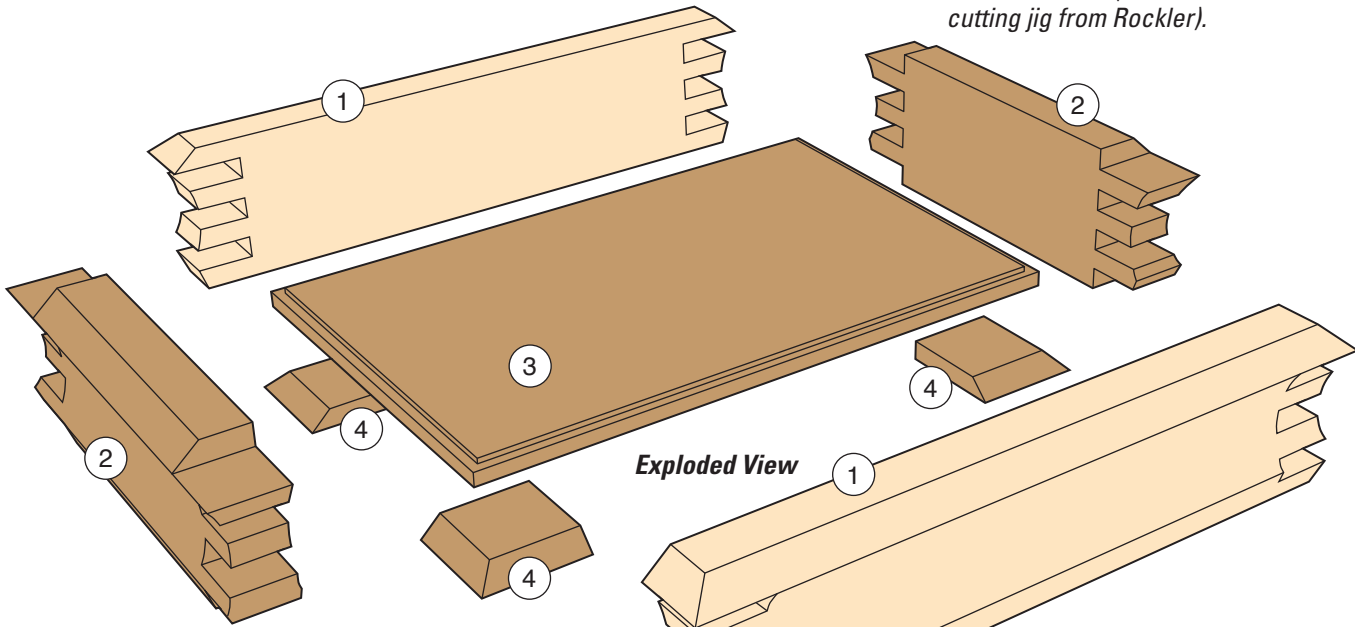


Walnut and Cherry Tray

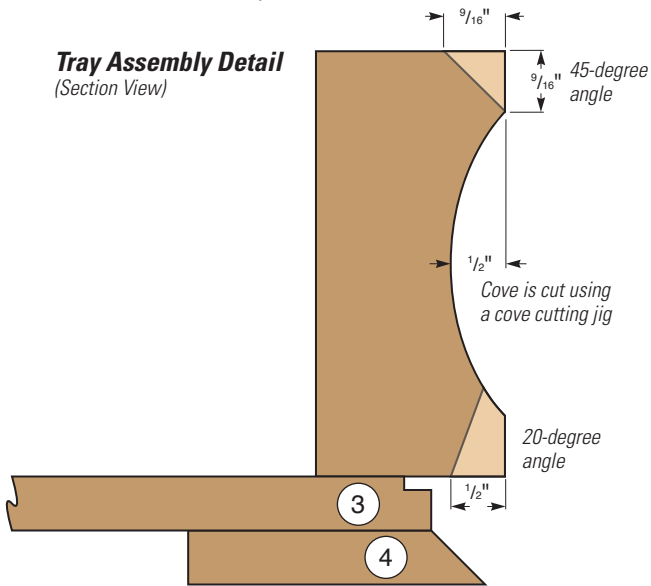
May/June 2020

You can make this shapely tray using only a table saw equipped with a dado cutter (and a cove cutting jig from Rockler).

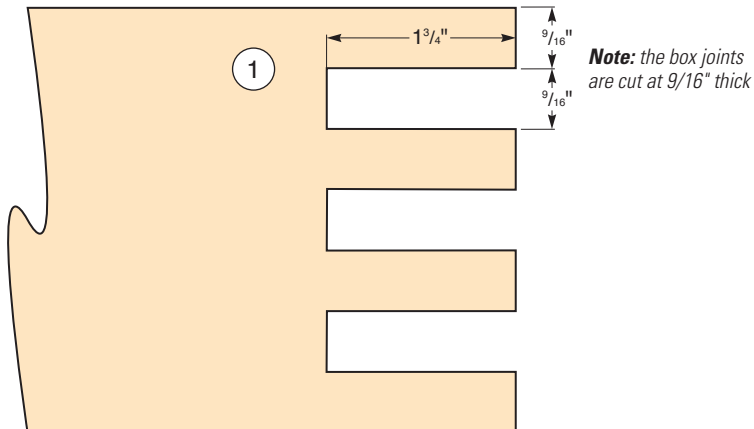


Exploded View

Tray Assembly Detail
(Section View)



Side Box Joint Layout
(Front View)



MATERIAL LIST

	T x W x L
1 Sides (2)	1 3/4" x 3 5/16" x 17"
2 Ends (2)	1 3/4" x 3 5/16" x 11 1/2"
3 Bottom (1)	1/2" x 10 7/8" x 15 5/8"
4 Feet (4)	1/2" x 2 3/4" x 2 3/4"

