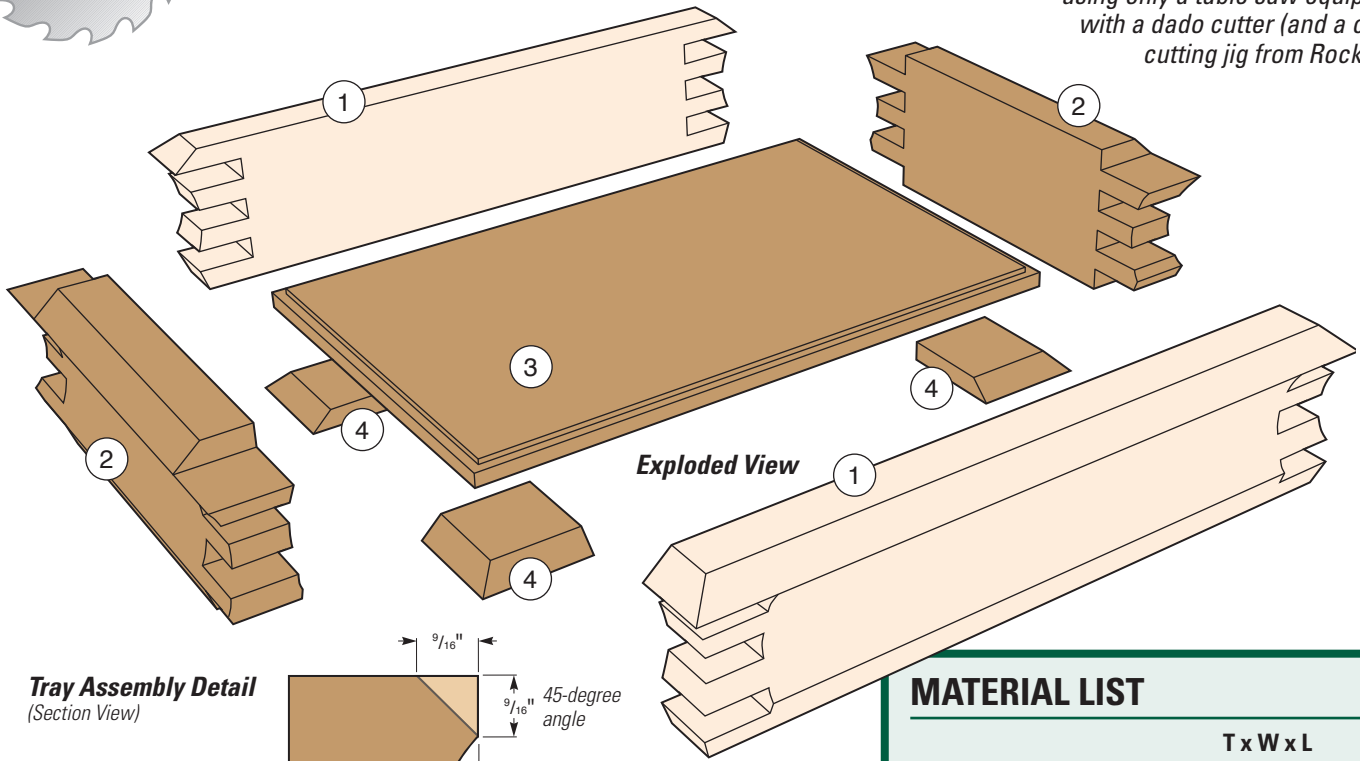




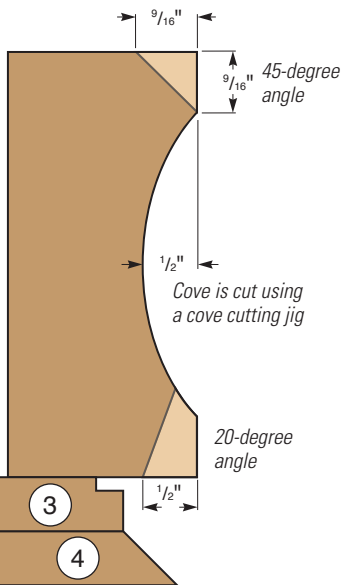
# Walnut and Cherry Tray

You can make this shapely tray using only a table saw equipped with a dado cutter (and a cove cutting jig from Rockler).



**Exploded View**

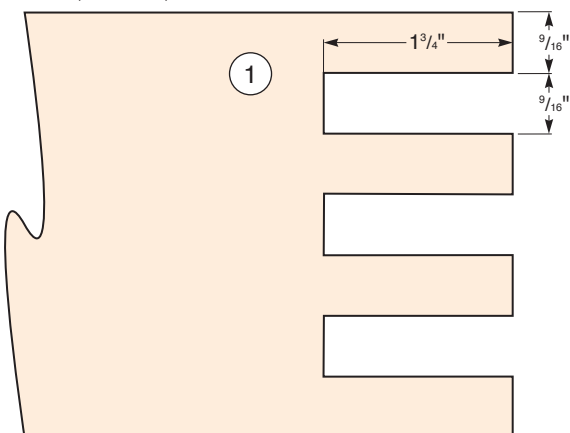
**Tray Assembly Detail**  
(Section View)



## MATERIAL LIST

	T x W x L
1 Sides (2)	1 3/4" x 3 15/16" x 17"
2 Ends (2)	1 3/4" x 3 15/16" x 9 1/2"
3 Bottom (1)	1/2" x 10 1/8" x 15 5/8"
4 Feet (4)	1/2" x 2 3/4" x 2 3/4"

**Side Box Joint Layout**  
(Front View)



**Note:** the box joints are cut at 9/16" thick

