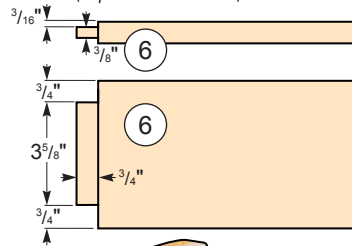
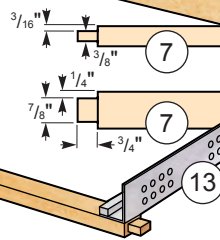


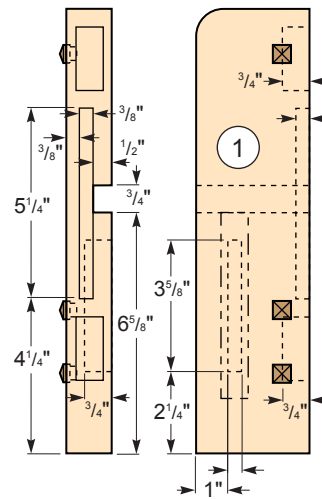
**Back Rail**  
(Top and Front Views)



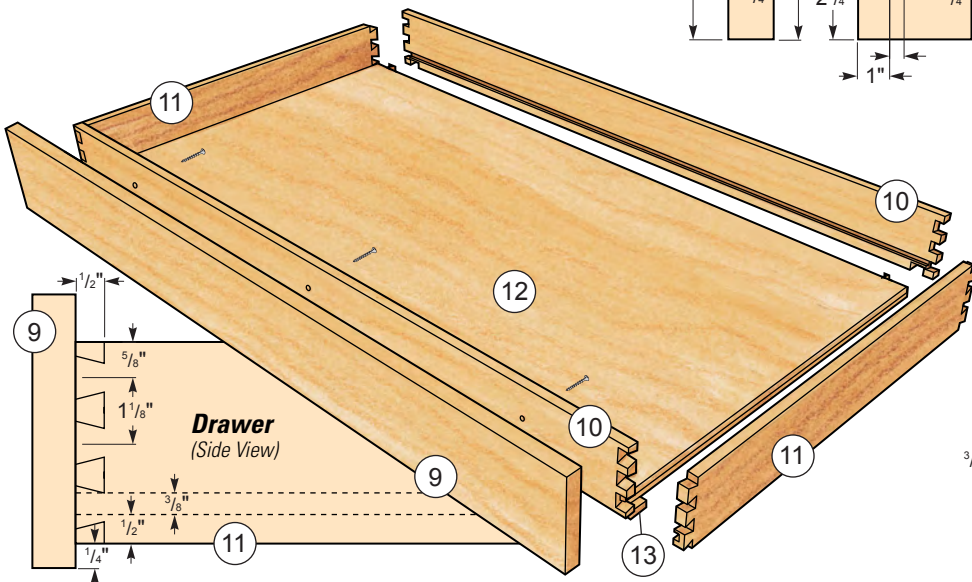
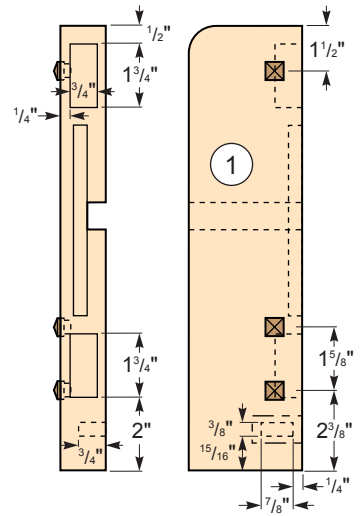
**Front Rail**  
(Front and Top Views)



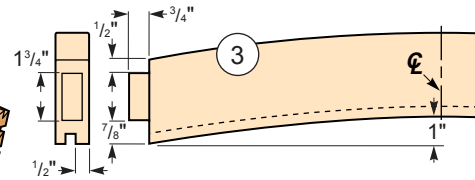
**Rear Leg**  
(Front and Side Views)



**Front Leg**  
(Front and Side Views)



**Upper End Rail**  
(End and Front Views)



**Lower End Rail**  
(End and Front Views)

